



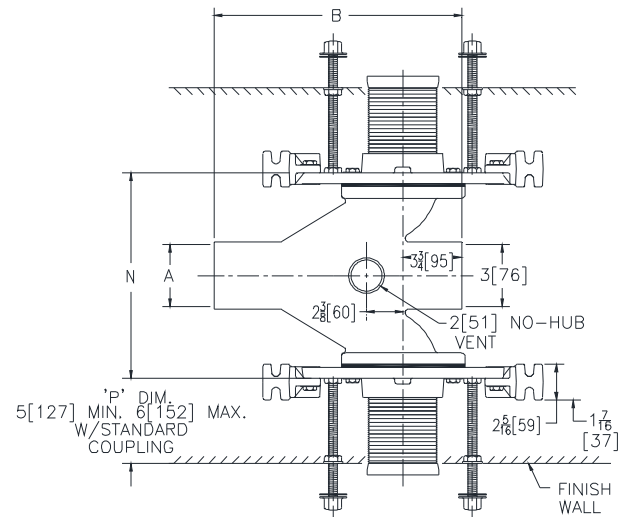
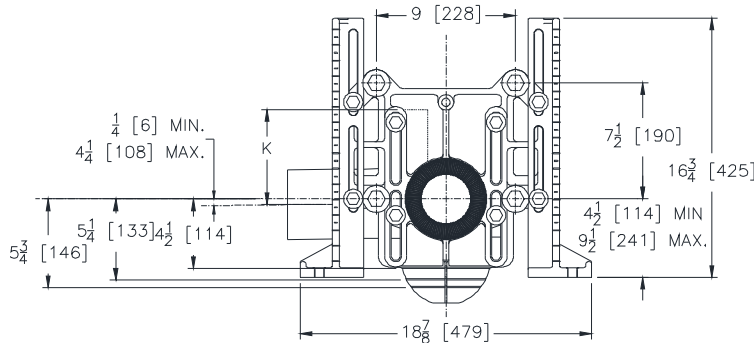
Z1203-ND

ADJUSTABLE HORIZONTAL BACK TO BACK SIPHON JET NO-HUB

SPECIFICATION SHEET

TAG _____

Dimensional Data (inches and [mm]) are Subject to Manufacturing Tolerances and Change Without Notice



Product Number	Dimensions in Inches [mm]				Approx. Wt. Lbs. [kg]
	A	B	K	N	
Z1203-ND3	3 [76]	14 [356]	6-1/8 [286]	11-1/4 [286]	114 [52]
Z1203-ND4	4 [102]			13-3/8 [340]	120 [54]

Note:

1. Min. 'P' Dim. Obtainable = 2 [51] with cut standard coupling
2. Feet bolted to floor using min. 1/2 [13] dia. bolts and back slots on carrier feet.

ENGINEERING SPECIFICATION: ZURN Z1203-ND

Adjustable, horizontal siphon jet water closet "Rigid System" with 3" [76mm] or 4" [102mm] No-Hub connections. Complete with Dura-Coated cast iron double main fitting, with 2" [51mm] vent, adjustable gasketed face plates, universal floor mounted foot supports, corrosion resistant adjustable polymer couplings with integral test cap, fixture bolts, trim, stud protectors and bonded "Neo-Seal" gaskets.

OPTIONS (Check/specify appropriate options)

- _____ Z1203-ND3 3 [76] No-Hub Back to Back Inlet (Double)
- _____ Z1203-ND4 4 [102] No-Hub Back to Back Inlet (Double)

PREFIXES

- _____ Z D.C.C.I. System with Zurn "ZZ" Adjustable Coupling*
- _____ ZQ D.C.C.I. System with Non-Adjustable Coupling

SUFFIXES

- | | |
|--|---|
| _____ -A Auxiliary Support Assembly
(For 'P' Dim. Greater Than 18 [457]) | _____ -PS Pre-Fab Slotted Foot |
| _____ -B Blowout Type Fixture Support | _____ -RYK Unistrut Pre-Fab Foot |
| _____ -CC Corrosion Resistant Cast Iron Coupling
(6 - 12 [152 - 305]) | _____ -VP Vandal Proof Trim |
| _____ -CL Coupling Length Other Than Standard 6 [152]
(Specify Length Required) | _____ -X3 3[76] Foot Extension
(See Z1200-FT-EXT-3) |
| _____ -F Floor Mount, Back Outlet Fixture Support | _____ -X4 4[102] Foot Extension
(See Z1200-FT-EXT-4) |
| _____ -M Auxiliary Foot Support
(for 'P' Dim. 10 - 18 [254 - 457]) | _____ -45 Finishing Frame for Siphon Jet System
(See Z1200-FINFRAME-SJ) |
| _____ -PF Pre-Fab Foot | _____ -50 Flush Valve Supply Support for Water Closets
(See Z1200-SPLY-SPRT-WC) |

* Regularly furnished unless otherwise specified.