



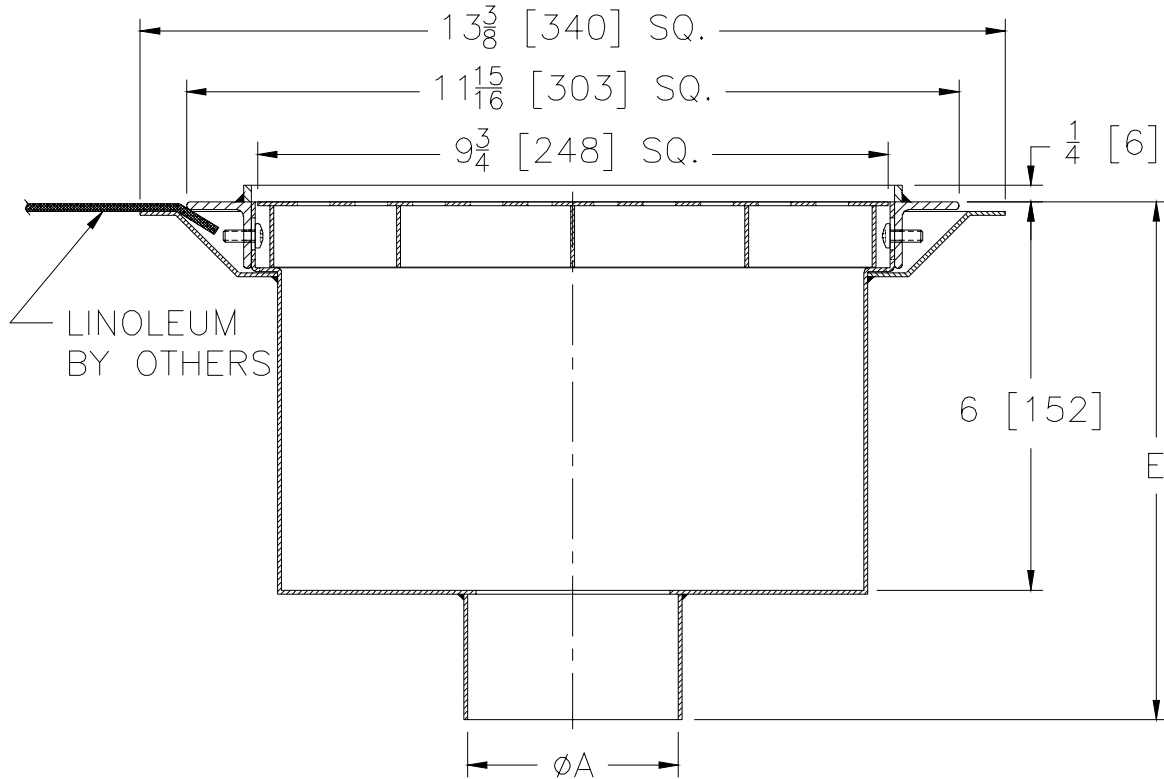
Z1750-145

SPECIFICATION SHEET

13 3/8 SQ. [340] SANI-FLOR RECEPTOR
6 [152] SUMP W/ LINOLEUM CLAMP & WATER DAM

TAG _____

Dimensional Data (inches and [mm]) are Subject to Manufacturing Tolerances and Change Without Notice



A Pipe Size In.	Approx. Wt. Lbs. [kg]	Grate Open Area Sq. In. [cm.]
2-3-4 [51-76-102]	10 [5]	25 [161]

ENGINEERING SPECIFICATION: ZURN Z1750-145
13 3/8 [340] Square x 6 [152] deep, 16 gage, All Type 304 (CF8) Fabricated stainless steel light-duty Sani-Flor receptor with Integral linoleum clamp collar with 1/4 [6] high water dam and non-tilt loose set full grate.

OPTIONS (Check/specify appropriate options)

PIPE SIZE

2 thru 4 [51 thru 102]

(Specify size) **OUTLET**

____ NH No-Hub

'E' BODY HT. DIM.

8 [203]

PREFIXES

- ____ Z Type 304 (CF8) Stainless Steel Body*
- ____ ZM Type 316 (CF8M) Stainless Steel

SUFFIXES

- ____ -P 1/2 [13] Trap Primer Connection

REV.	DATE: 12/6/05	C.N. NO. 94336
DWG. NO. P-15230 PRODUCT NO. Z1750-145		

*REGULARLY FURNISHED UNLESS OTHERWISE SPECIFIED