

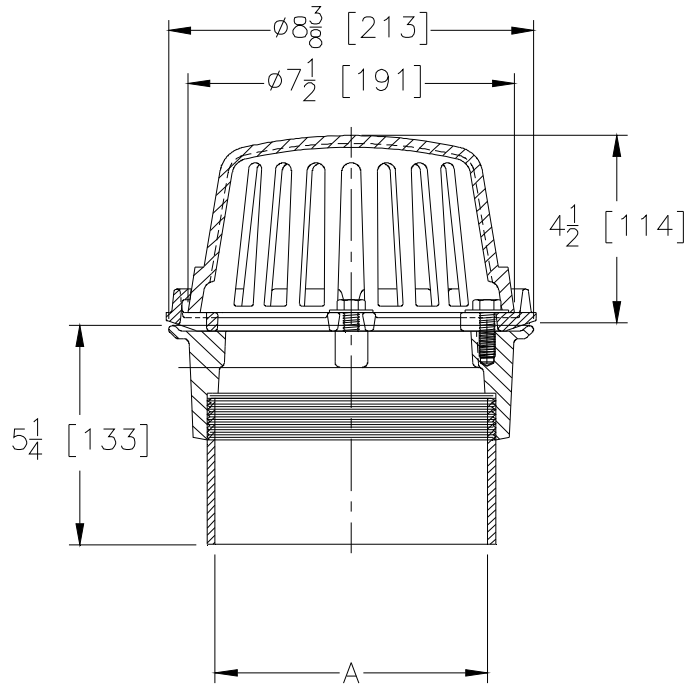


Z125-105
8 3/8 [213] DIAMETER ROOF DRAIN
LOW SILHOUETTE DOME W/ 6 NO-HUB OUTLET

SPECIFICATION SHEET

TAG _____

Dimensional Data (inches and [mm]) are Subject to Manufacturing Tolerances and Change Without Notice



A Pipe Size In.	Approx. Wt. Lbs. [kg]	Dome Open Area Sq. In. [cm ²]
6 [152]	19 [10]	43 [277]

ENGINEERING SPECIFICATION: ZURN Z125-105
 8-3/8 [213] Diameter roof drain, Dura-Coated cast iron body with combination membrane flashing clamp/gravel guard and low silhouette cast iron dome. Z1040 No-Hub Adapter, Dura-Coated cast iron with male thread and No-hub connections.

OPTIONS (Check/specify appropriate options)

'A' PIPE SIZE
 6 [152]

(Specify size/type) **OUTLET**
 _____ NH No-Hub

BODY HT. DIM.
 5 1/4 [133]

PREFIXES

- ___ Z D.C.C.I. Body with Dome*
- ___ ZA D.C.C.I. Body with Aluminum Dome
- ___ ZRB D.C.C.I. Body with Plain Bronze Dome

SUFFIXES

- ___ -AR Acid Resistant Epoxy Coated Finish
- ___ -BS Bronze Mesh Screen Over Dome
- ___ -E 2 [51] High Static Extension (Specify Height)
- ___ -FG Flush Grate (Replaces Dome Strainer)
- ___ -G Galvanized Cast Iron
- ___ -SC Secondary Clamping Collar
- ___ -SS Stainless Mesh Screen Over Dome
- ___ -VP Vandal Proof Secured Top
- ___ -XJ Vertical Expansion Joint (See Z190)
- ___ -84 Stainless Steel Perforated Gravel Guard
- ___ -85 Stainless Steel Perforated Extension
- ___ -89 2 [51] High External Water Dam

REV. DATE: 01/19/11 C.N. NO. 120772

DWG. NO. 304081 PRODUCT NO. Z125-105

*REGULARLY FURNISHED UNLESS OTHERWISE SPECIFIED