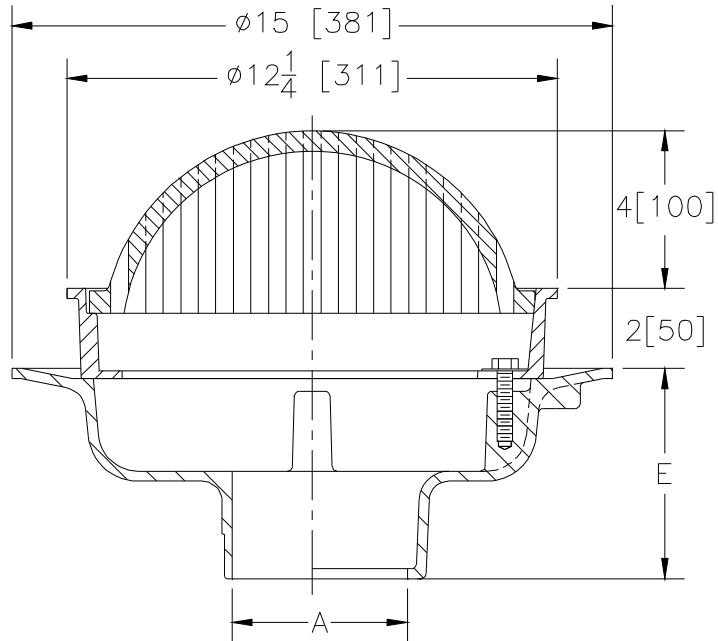




Z505-D

12-1/4 [311] HEAVY DUTY DRAIN W/ DOME STRAINER

Dimensional Data (inches and [mm]) are Subject to Manufacturing Tolerances and Change Without Notice



A Pipe Size In [mm]	Approx. Wt. Lbs. [kg]	Grate Open Area Sq. In. [cm ²]
2,3,4,6 [51,76,102,152]	38 [18]	30 [194]
8 [203]	40 [18]	

ENGINEERING SPECIFICATION: ZURN Z505-D
 12-1/4" [311mm] Diameter top drain. Dura-Coated cast iron body with bottom outlet, seepage pan and combination membrane flashing clamp and frame with dome grate.

OPTIONS (Check/specify appropriate options)

PIPE SIZE

- 3,4,6 [76,102,152]
- 3,4,6 [76,102,152]
- 2,3,4,6,8 [51,76,102,152,203]
- 2,3,4,6,8 [51,76,102,152,203]
- 2,3,4 [51,76,102]

(Specify size/type) OUTLET

- ___ IC Inside Caulk
- ___ IC Inside Caulk
- ___ IP Threaded
- ___ NH No-Hub
- ___ NL Neo-Loc

'E' BODY HT. DIM.

- 5-1/4 [113]
- 5-1/4 [113]
- 3-3/4 [95]
- 5-1/4 [113]
- 4-5/8 [117]

PREFIXES

- ___ Z D.C.C.I. Body and Grate*
- ___ ZB D.C.C.I. Body with Polished Grate (Add 3/16 [5] to 2 [51] Dim.& add 3/4 [19] to 12-1/4 [311] Dim.)
- ___ ZN D.C.C.I. Body with Polished Nickel Bronze Grate (Add 3/16 [5] to 2 [51] Dim.& add 3/4 [19] to 12-1/4 [311] Dim.)

SUFFIXES

- ___ -AR Acid Resisting epoxy Coated Cast Iron
- ___ -F Extension Frame
(Specify Total Height Req'd)
- ___ -G Galvanized Cast Iron
- ___ -P Trap Primer Connection
- ___ -S Secondary Strainer
- ___ -SS Stainless Mesh Liner for Bucket
- ___ -SS Stainless Mesh Liner for Bucket
- ___ -TC Neo-Loc Test Cap Gasket
(2,3,4 [51,76,102] NL Bottom Outlet Only)
- ___ -V Backwater Valve(See Z1099)
- ___ -Y Sediment Bucket
- ___ -90 90° Threaded Side Outlet Body
(2,3,4,6 [51,76,102,152] Only)

* Regularly furnished unless otherwise specified.