



Z888-4-PVSS

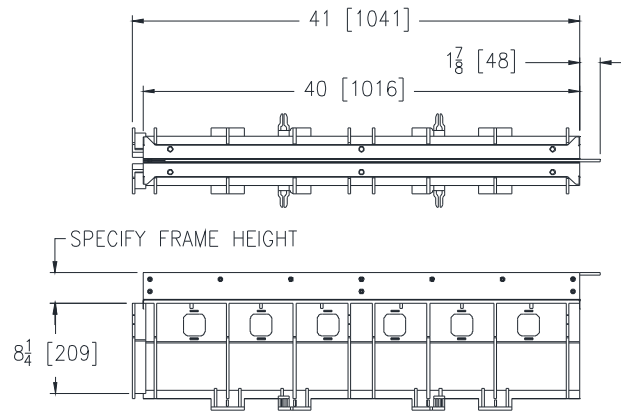
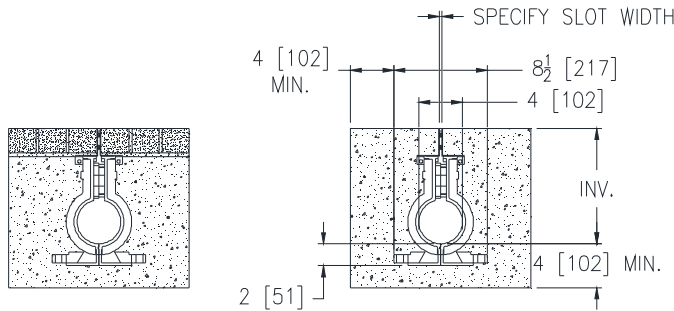
SLOTTED DRAIN SYSTEM WITH STAINLESS STEEL TOP FRAME

SPECIFICATION SHEET

TAG _____

Dimensional Data (inches and [mm]) are Subject to Manufacturing Tolerances and Change Without Notice

SPECIFYING ENGINEER IS RESPONSIBLE FOR
CONCRETE ENCASEMENT AND REINFORCING BASED
UPON APPLICATION AND LOCAL CODES



NOTE: + Actual Channel length is 41 [1041] to allow for overlap.

ENGINEERING SPECIFICATION: Zurn Z888-4-PVSS

Channels are 40" [1016mm] long, () wide slot and have a 4" [102mm] throat. Modular channel sections are made of 0% water absorbent High Density Polyethylene (HDPE), and are UV-10 stabilized. Channels have a positive mechanical connection between channel sections that will not separate during the installation and mechanically lock into the concrete surround a minimum of every 6" [152mm]. Channels weigh less than 4.2 lbs.[1.9kg] per linear foot, have a smooth, 2" [51mm] radiused self cleaning neutral bottom with 0% built in slope. Channels have rebar clips molded onto bedding feet and/or bedding feet to be used for positioning as standard to secure trench in its final location. Trench provided with standard PVSS non-removable grate. Zurn () wide reveal and () tall fabricated Stainless Steel Paver Slot grate. Is rated for pedestrian traffic. Supplied in 40" [1016mm] nominal lengths with removable zip strip for alignment.

PREFIX OPTIONS (Check/specify appropriate options)

Z Three Foot Four Inch High Density Polyethylene (HDPE)*

SUFFIX OPTIONS (Check/specify appropriate options)

Specify Slot Width

- A (.125 [3.2])
- B* (.250 [6.4])
- C (.375 [10])
- D (.500 [13])
- E (.625 [16])
- F (.750 [19.1])

Specify Frame Height

- C (1.50 [38.1])
- D (1.75 [45])
- E (2.00 [51])
- F (2.25 [57.2])
- G* (2.50 [64])
- H (2.75 [70])
- I (3.00 [76.2])
- J (3.25 [83])
- K (3.50 [89])
- L (3.75 [95.3])
- M (4.00 [102])

Outlet Adapters (Add/Each)

- E1 Closed End Cap
- E2 2 [51] No-Hub End Outlet
- E3 3 [76] No-Hub End Outlet
- E4 4 [102] No-Hub End Outlet
- U2 2 [51] No-Hub Bottom Outlet
- U3 3 [76] No-Hub Bottom Outlet
- U4 4 [102] No-Hub Bottom Outlet

Miscellaneous Options (Add/Each)

- 90 90-Degree Connector

* Regularly furnished unless otherwise specified.