



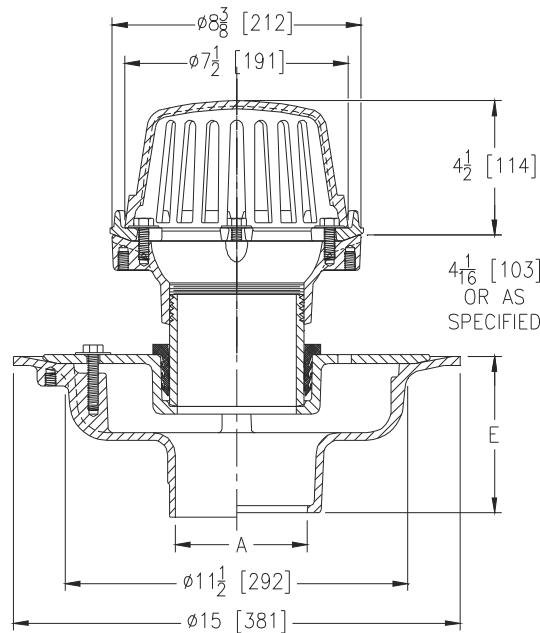
Z624-121

ISOLATION DECK DRAIN W/ Z125 UPPER BODY

SPECIFICATION SHEET

TAG _____

Dimensional Data (inches and [mm]) are Subject to Manufacturing Tolerances and Change Without Notice



'A' Pipe Size In [mm]	Approx. Wt. Lbs. [kg]	Dome Open Area Sq. In. [cm ²]
2, 3, 4 [51, 76, 102]	34 [15]	43 [277]
5, 6 [127, 152]		

ENGINEERING SPECIFICATION: ZURN Z624-121

Floating slab drain, Dura-Coated cast iron upper and lower bodies. Lower body with clamp collar with weep holes, neoprene flex gasket, and isolation nipple. Upper body Z125 with combination membrane flashing clamp/gravel guard and low silhouette cast iron dome.

OPTIONS (Check/specify appropriate options)

PIPE SIZE

- 2,3,4,5,6 [51,76,102,127,152]
- 2,3,4,6 [51,76,102,152]
- 2,3,4,5,6 [51,76,102,127,152]
- 2,3,4 [51,76,102]

(Specify size/type) OUTLET

- ___ IC Inside Caulk
- ___ IP Threaded
- ___ NH No-Hub
- ___ NL Neo-Loc

'E' BODY HT. DIM.

- 5-1/4 [133]
- 3-3/4 [95]
- 5-1/4 [133]
- 4-5/8 [117]

PREFIXES

- ___ Z D.C.C.I. Body with Dome*
- ___ ZA D.C.C.I Body with Aluminum Dome
- ___ ZRB D.C.C.I Body with Plain Bronze Dome

SUFFIXES

- | | |
|--|---|
| ___ -AR Acid Resistant Epoxy Coated Finish | ___ -R Sump Receiver (Lower Body) |
| ___ -BS Bronze Mesh Screen Over Dome | ___ -SD Longer Standpipe (Specify Height Required) |
| ___ -C Underdeck Clamp (Lower Body) | ___ -SS Stainless Steel Mesh Screen Over Dome |
| ___ -DP Top Set®Roof Deck Plate (Lower Body) | ___ -TC Neo-Loc Test Cap Gasket
(2 [51] - 4 [102] NL Bottom Outlet Only) |
| ___ -DR Top Set®Drain Riser (Lower Body) | ___ -VP Vandal-Proof Secured Top |
| ___ -EB Top Set®Adjustable Extension Assembly (Lower Body) | ___ -84 Stainless Steel Perforated Gravel Guard |
| ___ -FG Flush Grate | ___ -85 Stainless Steel Perforated Extension |
| ___ -G Galvanized Cast Iron | ___ -89 2 [51] High External Water Dam |
| ___ -LH Less Weep Holes in Clamp Collar | |

* Regularly furnished unless otherwise specified.

Zurn Industries, LLC | Specification Drainage Operation
 1801 Pittsburgh Avenue, Erie, PA U.S.A. 16502 · Ph. 855-663-9876, Fax 814-454-7929
 In Canada | Zurn Industries Limited
 3544 Nashua Drive, Mississauga, Ontario L4V 1L2 · Ph. 905-405-8272, Fax 905-405-1292
www.zurn.com

Rev. A
 Date: 02/05/2018
 C.N. No. 139599
 Prod. | Dwg. No. Z624-121