



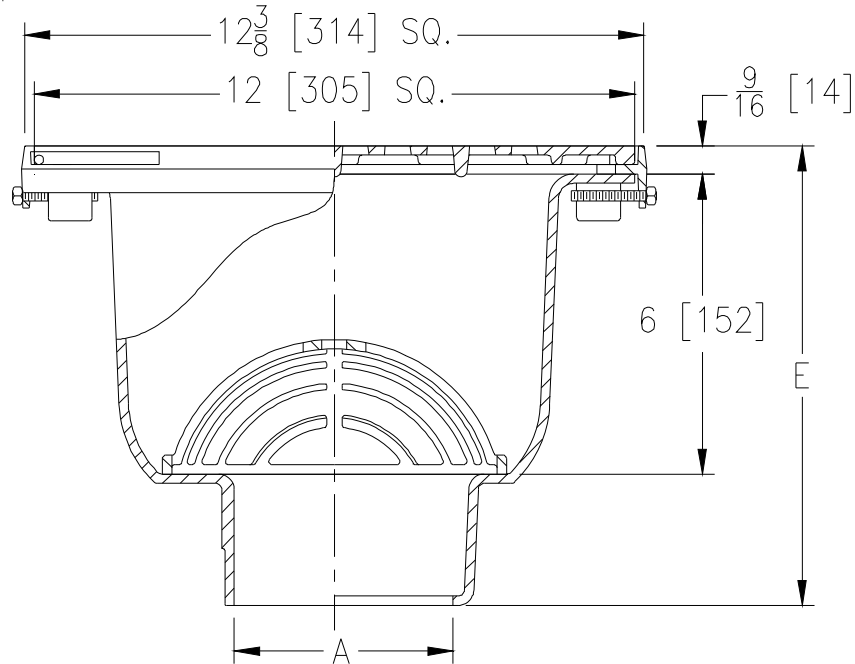
ZN1900-19

12-3/8 x 12-3/8 [314 x 314] A.R.E. SANI-FLOR RECEPTOR
6 [152] SUMP DEPTH W/ NICKEL BRONZE FRAME AND
FULL HINGED GRATE

SPECIFICATION SHEET

TAG _____

Dimensional Data (inches and [mm]) are Subject to Manufacturing Tolerances and Change Without Notice



A Pipe Size In [mm]	Approx Wt. Lbs. [kg]	Grate Open Area Sq. In. [cm ²]
2,3,4 [51,76,102]	32 [15]	25 [161]

ENGINEERING SPECIFICATION: ZURN ZN1900-19

Sani-Flor Receptor 12-3/8" x 12-3/8" x 6" [314mm x 314mm x 152mm] deep cast iron body with acid resisting porcelain enamel interior, black ground enamel exterior coating, with 12-3/8" x 12-3/8" [314mm x 314mm] nickel bronze frame and full hinged grate, complete with white ABS anti-splash interior bottom dome strainer.

OPTIONS (Check/specify appropriate options)

PIPE SIZE

3,4 [76,102]
2,3,4 [51,76,102]
2,3,4 [51,76,102]

(Specify size/type) OUTLET

___ IC Inside Caulk
___ NH No-Hub
___ NL Neo-Loc

'E' DIMENSION

9-1/8 [232]
9-1/8 [232]
8-1/2 [216]

PREFIXES

___ ZN Cast Iron Body with White A.R.E. Interior, 12-3/8 [314] Square Nickel Bronze Frame and Full Hinged Grate with 1/2 [13] Square Openings.*

SUFFIXES

___ -DX Dex-O-Tex Flange	___ -VPS Vandal-Proof Strainer
___ -K Anchor Flange with Seepage Holes	___ -11 Vandal-Proof Secured Top
___ -KC Anchor Flange with Seepage Holes and Clamp Collar	___ -23 Aluminum Bucket
___ -LD (Less) Bottom Dome Strainer	___ -25 White A.R.C. Bucket
___ -P 1/2 [13] Trap Primer Connection (See Z1023)	___ -31 Stainless Steel Mesh Liner for Bucket
___ -SA Stabilizer Assembly (See Z1903)	___ -32 Aluminum Dome Strainer
___ -TC Neo-Loc Test Cap Gasket (2,3,4 [51,76,102] NL Bottom Outlet Only)	___ -33 White A.R.C. Anti-Splash Bottom Dome Strainer

* Regularly furnished unless otherwise specified.

Zurn Industries, LLC | Specification Drainage Operation
1801 Pittsburgh Avenue, Erie, PA U.S.A. 16502 · Ph. 855-663-9876, Fax 814-454-7929
In Canada | Zurn Industries Limited
3544 Nashua Drive, Mississauga, Ontario L4V 1L2 · Ph. 905-405-8272, Fax 905-405-1292
www.zurn.com

Rev. F
Date: 10/12/17
C.N. No. 138698
Prod. | Dwg. No. ZN1900-19