



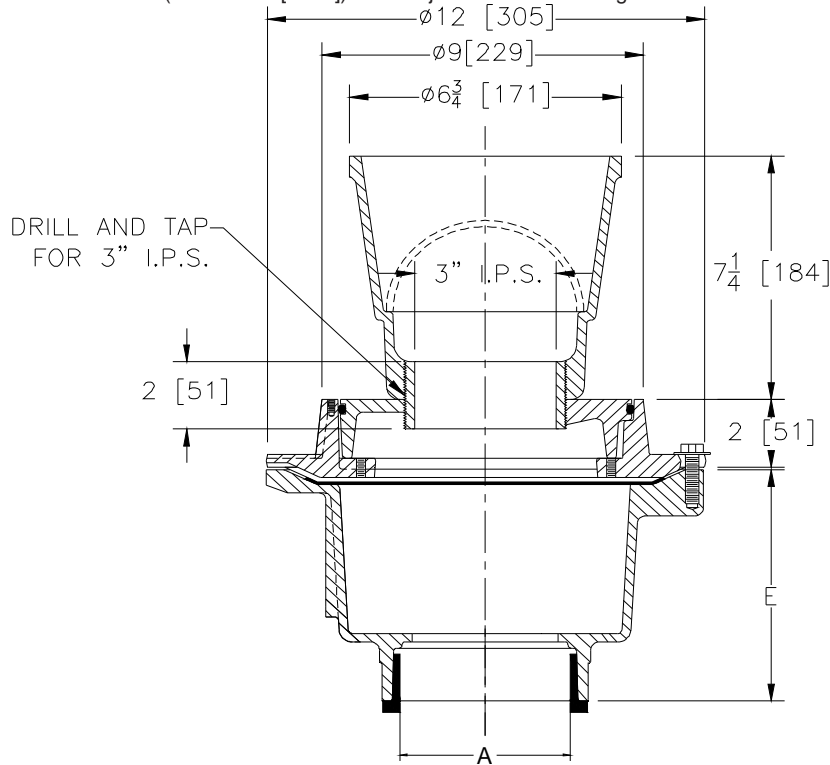
# Z511-87

SPECIFICATION SHEET

## 9 [229] DIAMETER HEAVY DUTY DRAIN W/ SOLID GASKETED COVER AND INDIRECT WASTE FUNNEL

TAG \_\_\_\_\_

Dimensional Data (inches and [ mm ]) are Subject to Manufacturing Tolerances and Change Without Notice



A- Pipe Size In.	Approx. Wt. Lbs. [kg]	Grate Open Area Sq. In. [cm <sup>2</sup> ]
3-4 [76-102]	49 [22]	15 [97]

### ENGINEERING SPECIFICATION: ZURN Z511-87

9 [229] Diameter top drain, Dura-Coated cast iron deep sump body with bottom outlet, seepage pan and combination membrane flashing clamp and frame for solid gasketed cover, Indirect Waste funnel with Dura-Coated cast iron body, and bottom dome strainer.

### OPTIONS (Check/specify appropriate options)

#### PIPE SIZE

3, 4 [76, 102]

#### (Specify size/type) OUTLET

\_\_\_ NL Neo-Loc

#### 'E' BODY HT. DIM.

6- 7/8 [175]

### PREFIXES

- \_\_\_ Z D.C.C.I. Body and Grate\*
- \_\_\_ ZB D.C.C.I. Body w/Polished Bronze Top
- \_\_\_ ZN D.C.C.I. Body w/Polished Nickel Bronze Top

### SUFFIXES

- \_\_\_ -AR Acid Resisting Epoxy Coated Cast Iron
- \_\_\_ -DG Duresist Grate
- \_\_\_ -G Galvanized Cast Iron
- \_\_\_ -J Auxiliary Inlet Connection  
(Specify 1 1/2 [38] or 2 [51] IP, Number & Location)
- \_\_\_ -P Trap Primer Connection
- \_\_\_ -S Secondary Strainer
- \_\_\_ -SS Stainless Mesh Liner for Bucket
- \_\_\_ -TS Top Secured with Slotted Screws
- \_\_\_ -V Backwater Valve
- \_\_\_ -VP Vandal-Proof Secured Top
- \_\_\_ -W Winter Closure Plug (see Z511)
- \_\_\_ -Y Sediment Bucket

\*REGULARLY FURNISHED UNLESS OTHERWISE SPECIFIED

REV. DATE: 7/19/2011 C.N. NO. 121631

DWG. NO. 306760 PRODUCT NO. Z511-87

ZURN INDUSTRIES, LLC. ♦ SPECIFICATION DRAINAGE OPERATION ♦ 1801 Pittsburgh Ave. ♦ Erie, PA 16514

Phone: 814/455-0921 ♦ Fax: 814/454-7929 ♦ World Wide Web: www.zurn.com

In Canada: ZURN INDUSTRIES LIMITED ♦ 3544 Nashua Drive ♦ Mississauga, Ontario L4V1L2 ♦ Phone: 905/405-8272 Fax: 905/405-1292