



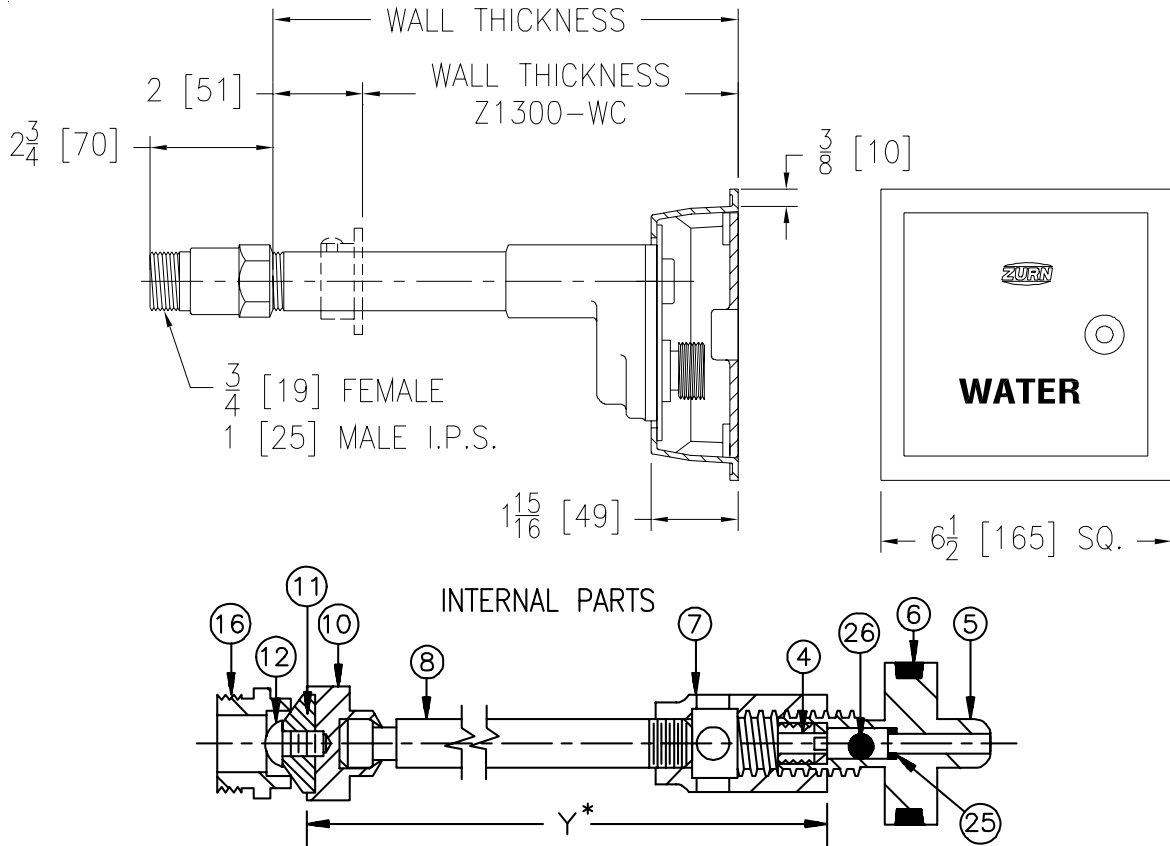
Z1300-77

SPECIFICATION SHEET

ECOLOtrol WALL HYDRANT Encased, Non-Freeze, Anti-Siphon, Automatic Draining w/ Galvanized Steel Casing

TAG _____

Dimensional Data (inches and [mm]) are Subject to Manufacturing Tolerances and Change Without Notice



Wall Thickness Inches	Approx. Wt. Lbs. [kg]
6-8 [152-203]	9 [4]
10-12-14 [254-305-356]	12 [5]
16-18 [406-457]	15 [7]
20-22-24 [508-559-610]	18 [8]

ENGINEERING SPECIFICATION: ZURN Z1300-77

Encased Ecolotrol "anti-siphon" automatic draining wall hydrant for flush installation. Complete with non-freeze type integral backflow preventer, galvanized steel casing, all bronze interior parts, non-turning operating rod with free-floating compression closure valve, replaceable bronze seat and seat washer, and combination 3/4 [19] female or 1 [25] male straight IP inlet. Nickel bronze box and hinged cover with operating key lock and "WATER" cast on cover.

OPTIONS (Check/specify appropriate options)

SUFFIXES

- ___ -CL Cylinder Lock
- ___ -PB Polished Bronze Face
- ___ -RA2 12 [305] Replacement Rod Assembly with Repair Kit (-RK)
- ___ -RA4 24 [610] Replacement Rod Assembly with Repair Kit (-RK)
- ___ -RK Hydrant Parts Repair Kit
- ___ -SB Statuary Bronze Face
(Specify light, medium or dark finish)
- ___ -SS Stainless Steel Box and Cover
- ___ -WC Wall Clamp
- ___ -34FS 3/4 [19] Solder Female Inlet Adapter
- ___ -34UN 3/4 [19] IP 90° Inlet Elbow w/Union Nut

PARTS LIST

Item	Name	Quan.
6	O-Ring	1
4	Screw	1
5	Operating Screw	1
7	Operating Coupling	1
8	Operating Rod	1
10	Washer Guide	1
11	Washer (neoprene)	1
12	Screw	1
16	Removable Seat	1
25	O-Ring	1
26	Ball	1

*WHEN ORDERING REPLACEMENT PARTS SPECIFY Y DIM.

REV.	DATE: 6/24/08	C.N. NO. 98676
DWG. NO. P-15562 PRODUCT NO. Z1300-77		