



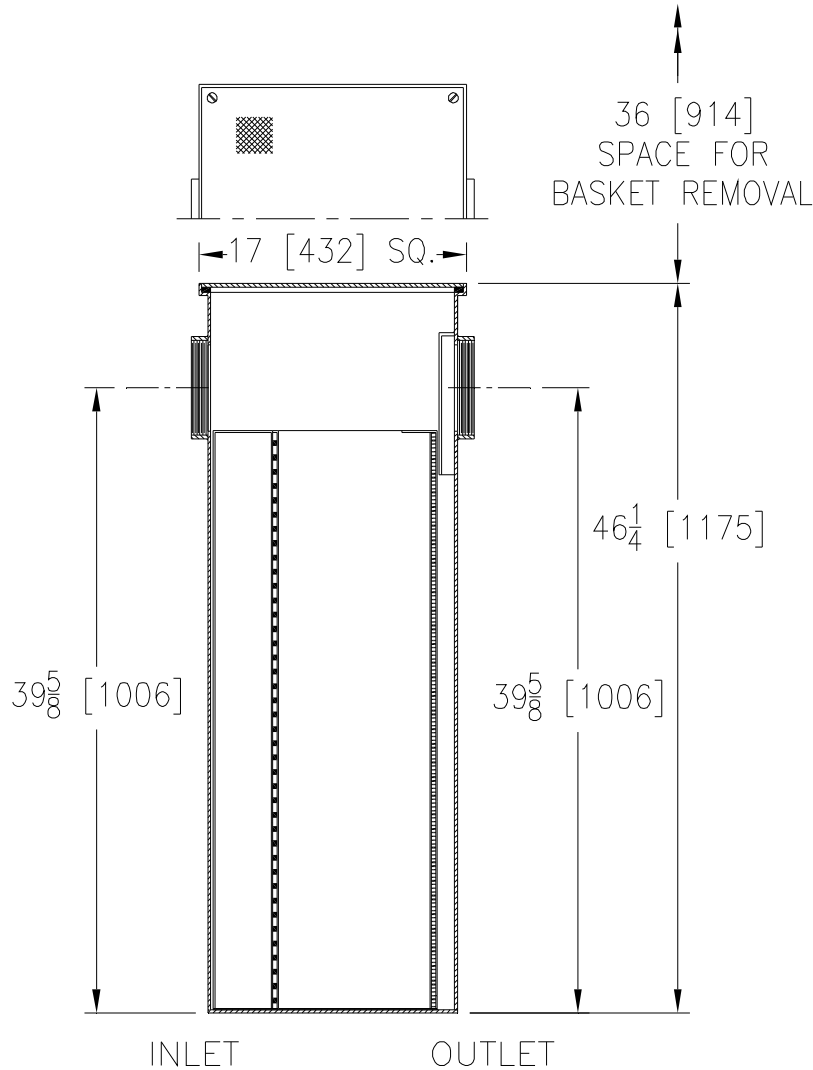
# Z1181-87

## LARGE CAPACITY SOLIDS INTERCEPTOR

SPECIFICATION SHEET

TAG \_\_\_\_\_

Dimensional Data (inches and [ mm ]) are Subject to Manufacturing Tolerances and Change Without Notice



Size	Inlet/Outlet In. [mm]	Flow Rate GPM [LPM]	Approx. Wt. Lbs. [kg]
1500	6 [152]	300 [1136]	100 [45]

### ENGINEERING SPECIFICATION: ZURN Z1181-87

Large capacity Acid Resistant Coated fabricated steel solids interceptor, in lieu of fixture 'P' trap, for on-floor or flush with floor installation, with removable primary and secondary flow diffusing/intercepting screens, and sediment bucket, with gasketed non-skid cover.

### OPTIONS (Check/specify appropriate options)

#### PREFIXES

- \_\_\_Z Acid Resistant Coated Fabricated Steel\*
- \_\_\_ZS All Fabricated Type 304 Stainless Steel

#### SUFFIXES

- \_\_\_-HD Heavy Duty Cover rated at 10,000 lbs. maximum safe live load. A 3 [76] minimum extension height is required when Heavy Duty Cover (-HD) option is specified.
- \_\_\_-SS Custom Stainless Mesh Screen for Bucket (Specify opening size)
- \_\_\_-YR Replacement Basket Assembly

\* Regularly furnished unless otherwise specified.