



# Z887-24-EXT-HD-LD

SPECIFICATION SHEET

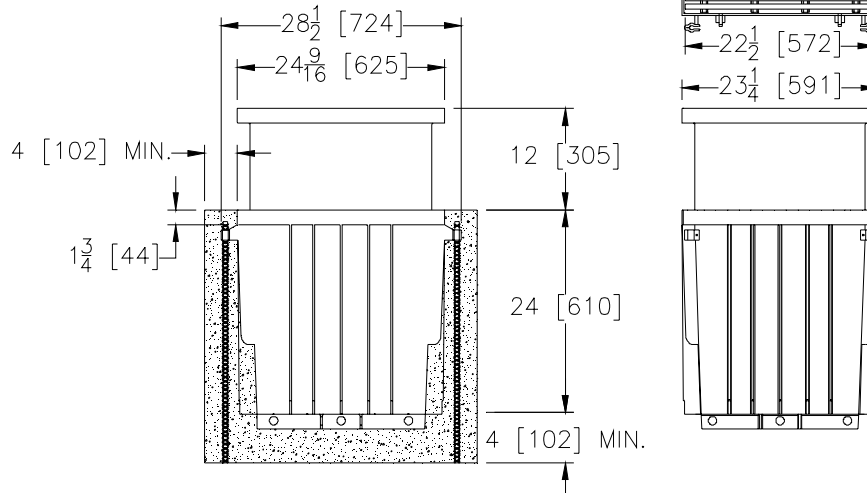
23-1/4 [591] WIDE REVEAL x 24-5/8 [625] LONG CATCH BASIN W/  
HEAVY-DUTY FRAME, 12 [305] EXTENSION & LIGHT-DUTY GRATE

TAG \_\_\_\_\_

Dimensional Data (inches and [mm]) are Subject to Manufacturing tolerances and Change Without Notice

SPECIFYING ENGINEER IS RESPONSIBLE FOR  
CONCRETE ENCASEMENT AND REINFORCING  
BASED UPON APPLICATION AND LOCAL CODES

NOTE: + Actual Channel length  
is 20 3/4 [527].



### ENGINEERING SPECIFICATION Zurn Z887-24-EXT-HD-LD

Catch Basin shall be 23-1/4 [591] wide reveal x 24-5/8 [625] long and 24 [610] deep. Catch basin shall be made of 0% water absorbent High Density Polyethylene (HDPE). Shall mechanically lock into the concrete surround. Basin shall weigh less than 20.0 lbs. [9.1 kg]. Catch basin shall have rebar clips standard to secure basin in its final location. Shall be provided with standard RFG grates that lock down to 12 [305] high, 1/4 [6] thick polyethylene Extension. Zurn 22-1/4 [565] wide reveal fabricated steel slotted Grate conforming to ASTM specification A536-84, Grade 80-55-06. Fabricated steel grate is rated class C per the DIN EN1433 top load classifications. Supplied in 24 [608] nominal lengths with 3/8 [10] wide slots, and 3/4 [19] bearing depth. The 1/4 [6] thick Heavy-Duty Frame Assembly conforms to either ASTM specification A36 or A536-84, with 4 - 4 [102] long concrete anchors per basin. Frame supplied with powder coated finish. All welds must be performed by a certified welder per ASTM standard AWS D1.1. Frames Shall be produced in the U.S.A.

### PREFIX OPTIONS (Check/specify appropriate options)

\_\_\_ Z High Density Polyethylene (HDPE) Catch Basin with Heavy-Duty Frame & 12 [305] extension\*

### SUFFIX OPTIONS (Check/specify appropriate options)

#### Adapters

- |            |  |         |                      |
|------------|--|---------|----------------------|
| ___ -E3/U3 | 3 [76] No-Hub End/Bottom Outlet Adapter  | ___ -IA | Inlet Adapter (Z886) |
| ___ -E4/U4 | 4 [102] No-Hub End/Bottom Outlet Adapter | ___ -IA | Inlet Adapter (Z882) |
| ___ -E6/U6 | 6 [152] No-Hub End/Bottom Outlet Adapter |         |                      |

#### Grate Options (Load Classifications are per DIN EN1433)

- \_\_\_ -GG Fiberglass Grate - Class A

#### Miscellaneous Options

- \_\_\_ -EXT 12 [305] Body Extension  
\_\_\_ -Y Sediment Bucket

#### MADE in the U.S.A. (Load Classifications are per DIN EN1433)

- \_\_\_ -FG Galvanized Steel Slotted Grate - Class A  
\_\_\_ -FS Stainless Steel Slotted Grate - Class A  
\_\_\_ -PG Galvanized Perforated Grate - Class A  
\_\_\_ -PS Stainless Steel Perforated Grate - Class A  
\_\_\_ -RFG Reinforced Galvanized Steel Slotted Grate - Class B  
\_\_\_ -RFS Reinforced Stainless Steel Slotted Grate - Class B  
\_\_\_ -RPG Reinforced Galvanized Perforated Grate - Class B  
\_\_\_ -RPS Reinforced Stainless Steel Perforated Grate - Class B

REV.	DATE: 05/05/11	C.N.NO. 121214
DWG. NO. 305721	PROD. NO. Z887-24-EXT-HD-LD	

\*REGULARLY FURNISHED UNLESS OTHERWISE SPECIFIED

ZURN INDUSTRIES, LLC ♦ SPECIFICATION DRAINAGE OPERATION ♦ 1801 Pittsburgh Ave. ♦ Erie, PA 16514

Phone: 814/455-0921 ♦ Fax: 814/454-7929 ♦ World Wide Web: www.zurn.com

In Canada: ZURN INDUSTRIES LIMITED ♦ 3544 Nashua Drive ♦ Mississauga, Ontario L4V1L2 ♦ Phone: 905/405-8272 Fax: 905/405-1292