



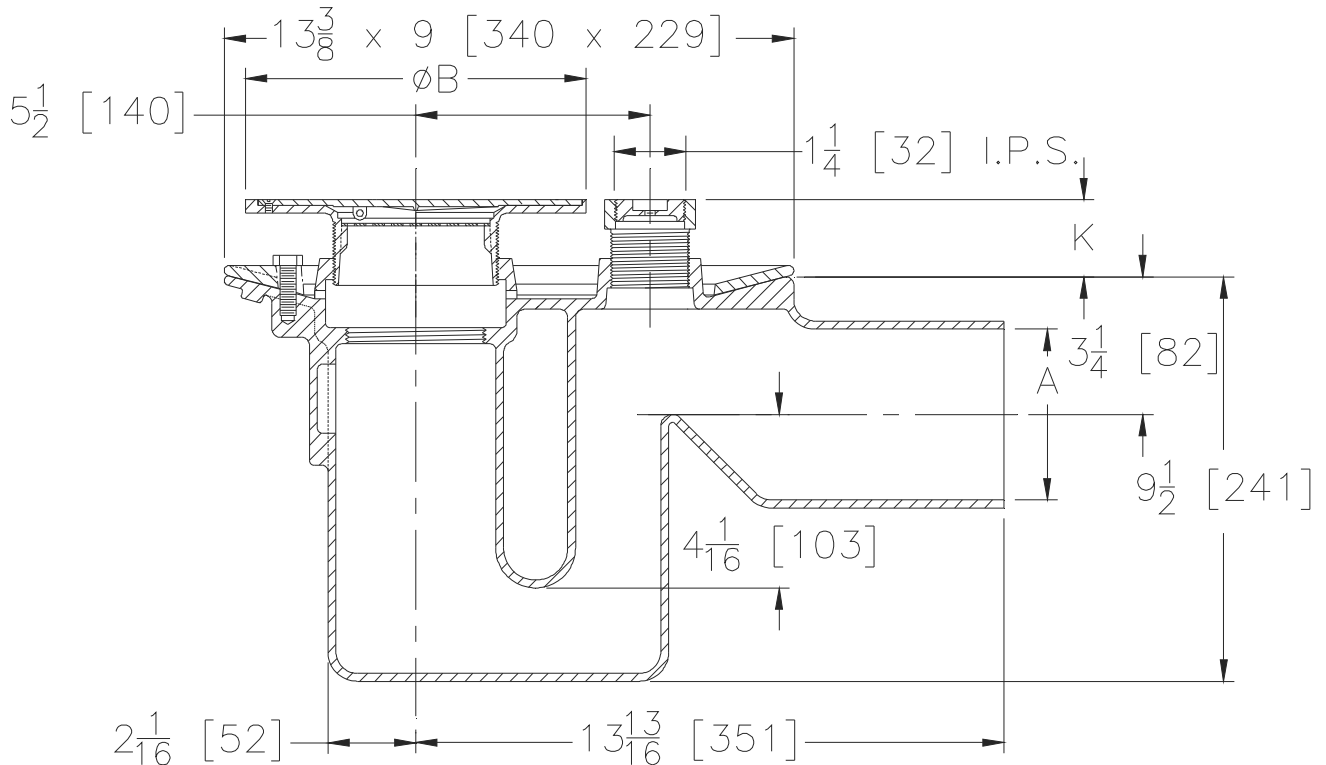
Z456D

DEEP SEAL TRAP DRAIN W/ FLOOR CLEANOUT & "TYPE D" STRAINER

SPECIFICATION SHEET

TAG _____

Dimensional Data (inches and [mm]) are Subject to Manufacturing Tolerances and Change Without Notice



Dimensions In Inches [mm]				Approx. Wt. Lbs. [kg]	Strainer Open Area Sq. In. [cm ²]
A Pipe Size	B Strainer Dia.	K			
		Min.	Max.		
2, 3, 4 [51, 76, 102]	5 [127]	1-1/4 [32]	2 [51]	41 [19]	8 [52]
2, 3, 4 [51, 76, 102]	6 [152]	1-1/8 [29]	2-1/4 [57]	43 [20]	9 [58]
2, 3, 4 [51, 76, 102]	7 [178]	1-1/2 [38]	2-5/8 [67]	45 [20]	12 [77]
2, 3, 4 [51, 76, 102]	8 [203]			47 [21]	18 [116]

ENGINEERING SPECIFICATION: ZURN ZN456D
 Floor and shower drain. Dura-Coated cast iron body deep seal integral trap with clamp collar, seepage pan, floor level cleanout and adjustable "TYPE D" polished, hinged, solid nickel bronze cover, complete with secondary strainer.

OPTIONS (Check/specify appropriate options)

PIPE SIZE

2, 3, 4 [51, 76, 102]

(Specify size) **OUTLET**

____ NH No-Hub

'E' BODY HT. DIM.

9-1/2 [241]

PREFIXES

____ ZN D.C.C.I. Body Assembly w/ Polished Nickel Bronze Top*

SUFFIXES

____ -AR Acid Resisting Epoxy Coated Cast Iron

____ -FC Flush Cover for Plug

____ -G Galvanized Cast Iron

____ -P Trap Primer Connection (Specify 1/2 [13] or 3/4 [19])

____ -PC Protective Cover

____ -V Backwater Valve (Ball Float Type)

____ -VP Vandal-Proof Secured Top

____ -Y Sediment Bucket

* Regularly furnished unless otherwise specified.