



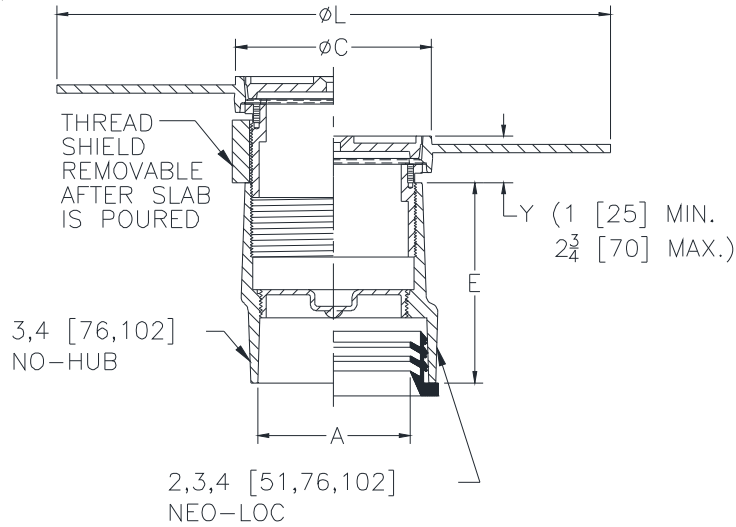
Z1400-DX-X

"LEVEL-TROL" ADJUSTABLE CLEANOUT W/
DEX-O-TEX FLANGE & RECESSED TOP

SPECIFICATION SHEET

TAG _____

Dimensional Data (inches and [mm]) are Subject to Manufacturing Tolerances and Change Without Notice



Dimensions in Inches [mm]				Approx. Wt. Lbs [kg]
A-Pipe Size	C	E	L	
IC Inside Caulk				
2 [51]	6-1/8 [156]	6-7/8 [175]	14-1/8 [359]	16 [7]
3 [76]			15-1/8 [384]	19 [9]
4 [102]	7-1/4 [184]			
NH No-Hub				
2 [51]	4-1/8 [105]	4-5/8 [117]	12-1/8 [310]	10 [5]
3 [76]		4-3/4 [121]		
4 [102]	5-1/8 [130]		13-1/8 [333]	12 [5]
NL Neo-Loc				
2 [51]	4-1/8 [105]	4-3/4 [121]	14-1/8 [359]	10 [5]
3 [76]			13-1/8 [333]	12 [5]
4 [102]	5-1/8 [130]			14 [6]

ENGINEERING SPECIFICATION: ZURN Z1400-DX-X

"Level-Trol" Adjustable floor cleanout, Dura-Coated cast iron body, with Dex-O-Tex flange, watertight ABS tapered thread plug, and round top recessed for tile, adjustable to finished floor.

OPTIONS (Check/specify appropriate options)

PIPE SIZE

2,3,4 [51,76,102]
2,3,4 [51,76,102]
2,3,4 [51,76,102]

(Specify size/type) **OUTLET**

_____ IC Inside Caulk
_____ NH No-Hub
_____ NL Neo-Loc

'E' BODY HT. DIM.

See Chart
See Chart
See Chart

PREFIXES

_____ ZB D.C.C.I. w/ Polished Bronze Top
_____ ZN D.C.C.I. w/ Polished Nickel Bronze Top

SUFFIXES

_____ -AR Acid Resisting Epoxy Coated Finish	_____ -KC Anchor Flange w/ Clamping Collar
_____ -BP Bronze Plug	_____ -SG Solid Gasketed Cover
_____ -CF Carpet Flange Cover	_____ -SM Special Marking Stamped on Top
_____ -G Galvanized Cast Iron	_____ -TC Neo-Loc Test Cap Gasket
_____ -K Anchor Flange	_____ -VP Vandal-Proof Screws

(2,3,4 [51,76,102] NL Bottom Outlet Only)

* Regularly furnished unless otherwise specified.