



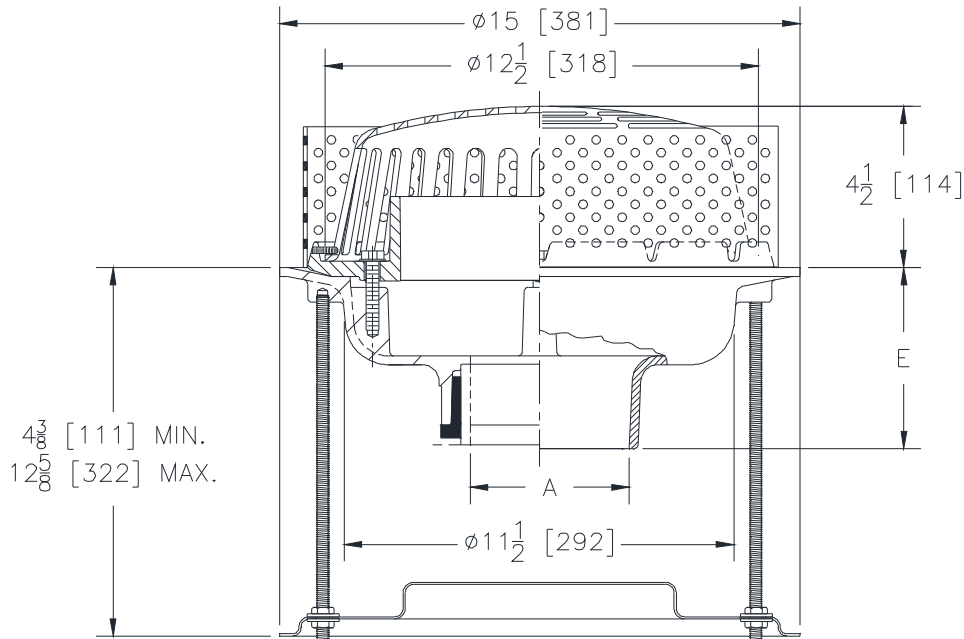
# Z100-278

## 15 [381] DIAMETER MAIN ROOF DRAIN WITH PERFORATED GRAVEL GUARD, 2 [51] INTERNAL DAM, & STABILIZER ASSEMBLY

SPECIFICATION SHEET

TAG \_\_\_\_\_

Dimensional Data (inches and [ mm ]) are Subject to Manufacturing Tolerances and Change Without Notice



### ENGINEERING SPECIFICATION: ZURN Z100-278

15 [381] Diameter roof drain. Dura-Coated cast iron body with combination membrane flashing clamping/gravel guard with 2 [51] high internal water dam, perforated gravel guard, installation stabilizer, and vandal proof secured low silhouette Poly-dome strainer.

A Pipe Size In.	Approx. Wt. Lbs. [kg]	Dome Open Area Sq. In. [cm <sup>2</sup> ]
2-3-4 [51-76-102]	28 [13]	103 [665]
5-6 [127-152]	29 [13]	

### OPTIONS (Check/specify appropriate options)

#### PIPE SIZE

2-3-4-5-6 [51-76-102-127-152]

2,3,4 [51-76-102]

#### (Specify size/type) OUTLET

\_\_\_\_\_ NH No-Hub

\_\_\_\_\_ NL Neo-Loc

#### E BODY HT. DIM.

5-1/4 [133]

4-9/16 [116]

### PREFIXES

- \_\_\_\_\_ Z D.C.C.I. Body with Poly-Dome\*
- \_\_\_\_\_ ZA D.C.C.I. Body with Aluminum Dome
- \_\_\_\_\_ ZC D.C.C.I. Body with Cast Iron Dome
- \_\_\_\_\_ ZRB D.C.C.I. Body with Plain Bronze Dome

### SUFFIXES

- \_\_\_\_\_ -AR Acid Resistant Epoxy Coated
- \_\_\_\_\_ -E Static Extension 1 [25] thru 4 [102] (Specify Ht.)
- \_\_\_\_\_ -EA Adjustable Extension Assembly 1-3/4 [44] thru 3-1/2 [89]
- \_\_\_\_\_ -G Galvanized Cast Iron (ZC only)
- \_\_\_\_\_ -GD Galvanized Cast Iron Dome
- \_\_\_\_\_ -HD 6-3/4 [171] High Aluminum Dome Strainer (148in<sup>2</sup> [955cm<sup>2</sup>] open area) ZA only
- \_\_\_\_\_ -SC Secondary Clamping Collar
- \_\_\_\_\_ -SS Stainless Steel Mesh Screen Over Dome
- \_\_\_\_\_ -ST Dome with Solid Top
- \_\_\_\_\_ -TC Neo-Loc Test Cap Gasket (2-4 [51-102] NL Bottom outlet only)
- \_\_\_\_\_ -85 Stainless Steel Perforated Extension

\* Regularly furnished unless otherwise specified.