

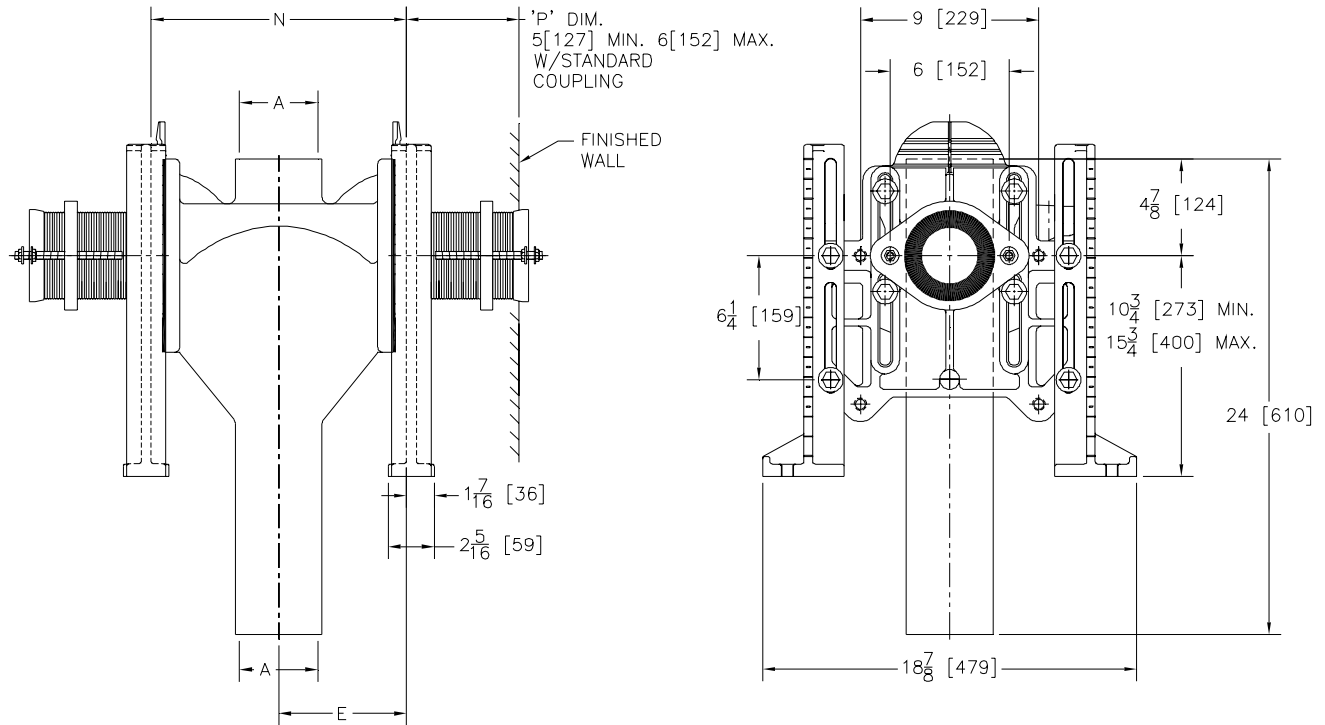


Z1204-ND4-B-F
ADJUSTABLE VERTICAL BACK TO BACK
BLOWOUT FLOOR MOUNTED BACK OUTLET - No-Hub

SPECIFICATION SHEET

TAG _____

Dimensional Data (inches and [mm]) are Subject to Manufacturing Tolerances and Change Without Notice



Product No.	Dimensions In Inches					Approx. Wt. Lbs.[kg]
	A	D	E	H	N	
Z1204-ND4-B-F	4[102]	5 [127]	6 5/8[168]	5 1/2[140]	13 1/4[336]	134 [61]
Z1204-ND5-B-F	5[127]	5 1/2[140]	6 5/8[168]	6 1/2[165]	13 1/4[336]	140 [63]
Z1204-ND6-B-F	6[152]	6 [152]	7 1/8[181]	6 1/2[165]	14 1/4[362]	145 [66]

Note:

1. Min. 'P' Dim. Obtainable=2 [51]
2. Feet bolted to floor using min. 1/2 [13] dia. bolts and back slots on carrier feet.

ENGINEERING SPECIFICATION: ZURN Z1204-ND-B-F()

Adjustable, vertical blowout water closet "Rigid System" with () size No-Hub connections and () side inlets. Complete with Dura-Coated cast iron double main fitting, with 2 [51] vent, adjustable gasketed face plates, universal floor mounted foot supports, corrosion resistant adjustable ABS couplings with integral test caps, fixture bolts, trim, and stud protectors. Bonded "Neo-Seal" gaskets and floor mounted, back outlet fixture support.

PRODUCT/DEFINITION

____ Z1204-ND-B-F No-Hub Back to Back Inlet (Double) Floor Mounted Back Outlet.

PREFIXES

- ____ Z D.C.C.I. System with Zurn "ZZ" Adjustable Coupling
- ____ ZQ D.C.C.I. System with NPT Face Plate, Non-Adjustable Coupling

SUFFIXES

- ____ -A Auxiliary Support Assembly (For P-Dim. greater than 18 [457])
- ____ -CC Corrosion Resistant Cast Iron Coupling (6 [152] to 12 [305])
- ____ -CL Coupling Length Greater than 12 [305] (Specify length required)
- ____ -G Galvanized Cast Iron
- ____ -JJ Two 2 [51] Auxiliary Inlets
- ____ -JL 2 [51] Left Hand Auxiliary Inlet
- ____ -JR 2 [51] Right Hand Auxiliary Inlet
- ____ -M Auxiliary Foot Support (For P-Dim. 10 [254] to 18 [457])
- ____ -VP Vandal-Proof Trim
- ____ -W Adapter for Womens Urinal
- ____ -XH Extra-Heavy-Duty 500-Lb. Carrier
- ____ -X3 3 [76] Foot Extension Assembly
- ____ -X4 4 [102] Foot Extension Assembly
- ____ -29 Mechanical Test Cap Assembly
- ____ -45 Finishing Frame for Siphon Jet Closet (For Blowout System specify -45-B)
- ____ -50 Flush Valve Supply Support for W.C.
- ____ -61 "ZZ" Coupling Wrench

*REGULARLY FURNISHED UNLESS OTHERWISE SPECIFIED

REV.	DATE: 11/18/05	C.N. NO. 94255
DWG. NO. 82553	PRODUCT NO. Z1204ND-B-F	

ZURN INDUSTRIES, INC. ♦ SPECIFICATION DRAINAGE OPERATION ♦ 1801 Pittsburgh Ave. ♦ Erie, PA 16514

Phone: 814455-0921 ♦ Fax: 814454-7929 ♦ World Wide Web: www.zurn.com

In Canada: ZURN INDUSTRIES LIMITED ♦ 3544 Nashua Drive ♦ Mississauga, Ontario L4V1L2 ♦ Phone: 905405-8272 Fax: 905405-1292