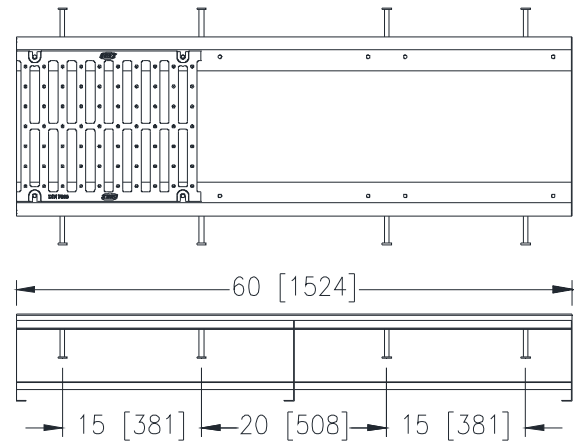
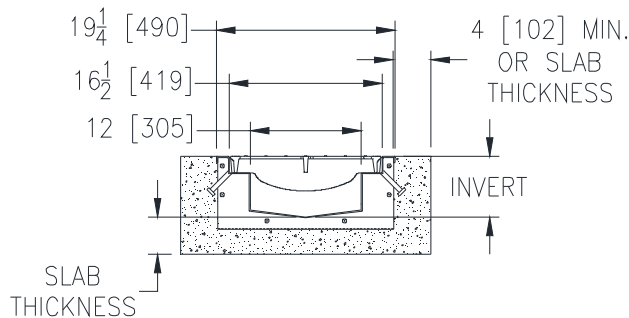


Dimensional Data (inches and [mm]) are Subject to Manufacturing Tolerances and Change Without Notice

SPECIFYING ENGINEER IS RESPONSIBLE FOR CONCRETE ENCASEMENT AND REINFORCING BASED UPON APPLICATION AND LOCAL CODES



ENGINEERING SPECIFICATION: ZURNZ895-103

Channels shall be 60" [1524mm] long, 16-1/2" [419mm] wide and have a 12" [305mm] throat. Modular channel sections shall be made of 12ga. fabricated stainless steel conforming to ASTM A-240 (Type 304). Channels shall have a bolted, flanged connection between channel sections that will not separate during the installation, gaskets available. Channels shall weigh less than 4.15 lbs.[1.05kg] per linear foot, have a smooth, 1-1/2" [38mm] radiused self cleaning bottom with a Manning's coefficient of .009 and 1.04% or neutral 0% built in slope. Channels shall have feet for patty pour or leveling studs standard to secure trench in its final location and 1/2" [12mm] x 3-1/8" [79mm] Nelson studs for concrete anchoring. Shall be provided with -BDF-USA grates that lock down to frame. Zurn 17" [432mm] wide reveal Black Acid Resistant Epoxy Coated class F ductile iron grate conforming to ASTM specification A-536, grade 80-55-06, is rated class F per the DIN EN1433 top load classification. Supplied in 20" [508mm] nominal lengths with 1" [25mm] wide slots, and 1-3/4" [44mm] bearing depth. Grate has an open area of 120 sq. in per ft. [254,000 sq. mm per meter]. All welds must be performed by a certified welder per ASTM standard AWS D1.6. Channels and grates shall be produced in the U.S.A.

PREFIX OPTIONS (Check/specify appropriate options)

___ Z Five-foot, Type 304 Stainless Steel*

SUFFIX OPTIONS (Check/specify appropriate options)

Outlet Adapters Add/Each

- ___ -E1 Closed End Cap
- ___ -E4 4 [102] No-Hub End Outlet
- ___ -E6 6 [152] No-Hub End Outlet
- ___ -E8 8 [203] No-Hub End Outlet
- ___ -U4 4 [102] No-Hub Bottom Outlet
- ___ -U6 6 [152] No-Hub Bottom Outlet
- ___ -U8 8 [203] No-Hub Bottom Outlet

Miscellaneous Options

- ___ -DB Bottom Dome Strainer
- ___ -K Anchor Flange
- ___ -KC Clamp Collar and Pan

Trench No.	Dimensions in In. [mm]		Flow		
	'A' Shallow Inv.	'B' Deep Inv.	(cfs)	(gpm)	(lps)
89501-103	6.00 [152]	6.63 [168]	1.221	548	35
89502-103	6.63 [168]	7.25 [184]	1.453	652	41
89502N-103	7.25 [184]	7.25 [184]	-	-	-
89503-103	7.25 [184]	7.88 [200]	1.691	759	48
89504-103	7.88 [200]	8.50 [216]	1.934	868	55
89504N-103	8.50 [216]	8.50 [216]	-	-	-
89505-103	8.50 [216]	9.13 [232]	2.179	978	62
89506-103	9.13 [232]	9.75 [248]	2.429	1090	69
89506N-103	9.75 [248]	9.75 [248]	-	-	-
89507-103	9.75 [248]	10.38 [264]	2.680	1203	76
89508-103	10.38 [264]	11.00 [279]	2.932	1316	83
89508N-103	11.00 [279]	11.00 [279]	-	-	-
89509-103	11.00 [279]	11.63 [295]	3.189	1431	91
89510-103	11.63 [295]	12.25 [311]	3.445	1546	98
89510N-103	12.25 [311]	12.25 [311]	-	-	-
89511-103	12.25 [311]	12.88 [327]	3.703	1662	105
89512-103	12.88 [327]	13.50 [343]	3.964	1779	113
89512N-103	13.50 [343]	13.50 [343]	-	-	-
89513-103	13.50 [343]	14.13 [359]	4.225	1896	120
89514-103	14.13 [359]	14.75 [375]	4.485	2013	127
89514N-103	14.75 [375]	14.75 [375]	-	-	-
89515-103	14.75 [375]	15.38 [391]	4.748	2131	135
89516-103	15.38 [391]	16.00 [406]	5.011	2249	142
89516N-103	16.00 [406]	16.00 [406]	-	-	-
89517-103	16.00 [406]	16.63 [422]	5.276	2369	150
89518-103	16.63 [422]	17.25 [438]	5.541	2487	157
89518N-103	17.25 [438]	17.25 [438]	-	-	-
89519-103	17.25 [438]	17.88 [454]	5.807	2606	165
89520-103	17.88 [454]	18.50 [470]	6.132	2752	174

* Regularly furnished unless otherwise specified.