



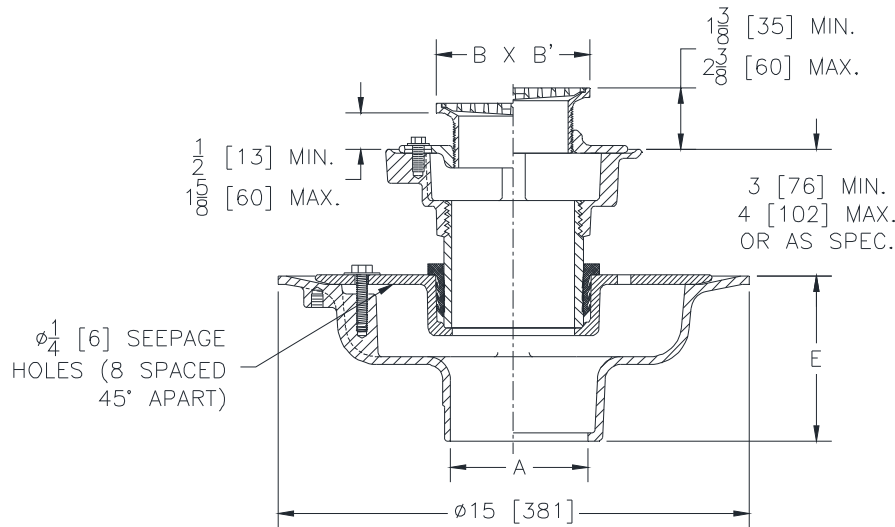
Z625-115

ISOLATION DECK ADJUSTABLE DRAIN WITH UPPER ZS415SS SQUARE STRAINER

SPECIFICATION SHEET

TAG _____

Dimensional Data (inches and [mm]) are Subject to Manufacturing Tolerances and Change Without Notice



Strainer Designation	Dimensions In Inches [mm]		Approx. Wt. Lbs. [kg]	Strainer Open Area Sq. In. [cm ²]
	A Pipe Size	B x B' Strainer Top Size		
-5SS	2, 3, 4 [51, 76, 102]	5 x 5 [127 x 127]	42 [19]	8-1/2 [55]
-6SS		6 x 6 [152 x 152]	43 [20]	13 [84]
-8SS		8 x 8 [203 x 203]	46 [21]	24-1/2 [158]

ENGINEERING SPECIFICATION: ZURNZN625-115

Adjustable isolation deck drain, Dura-Coated cast iron upper and lower bodies, upper and lower clamp collars, neoprene flex gasket, isolation nipple and adjustable "TYPE SS" heel-proof stainless steel medium duty square strainer.

OPTIONS (Check/specify appropriate options)

PIPE SIZE

2, 3, 4 [51, 76, 102]
 2, 3, 4 [51, 76, 102]
 2, 3, 4 [51, 76, 102]
 2, 3, 4 [51, 76, 102]
 2, 3, 4 [51, 76, 102]

(Specify size/type) OUTLET

___ IC Inside Caulk
 ___ IG Inside Caulk w/Sealtrol Gskt.
 ___ IP Threaded
 ___ NH No-Hub
 ___ NL Neo-Loc

'E' BODY HT. DIM.

5-1/4 [133]
 5-1/4 [133]
 3-3/4 [95]
 5-1/4 [133]
 4-5/8 [117]

PREFIXES

___ ZS D.C.C.I. Body Assembly w/ Square type 304 (CF8) Stainless Steel Top*
 ___ ZM D.C.C.I. Body Assembly w/ Square type 316 (CF8M) Stainless Steel Top

SUFFIXES

___ -C Underdeck Clamp (Lower Body)
 ___ -DP Deck Plate (Lower Body)
 ___ -R Sump Receiver (Lower Body)
 ___ -U 3 [76] High Extension Adapter (Upper Body)
 ___ -VP Vandal-Proof Secured Top
 ___ -Y Sediment Bucket (Upper Body)

* Regularly furnished unless otherwise specified.