



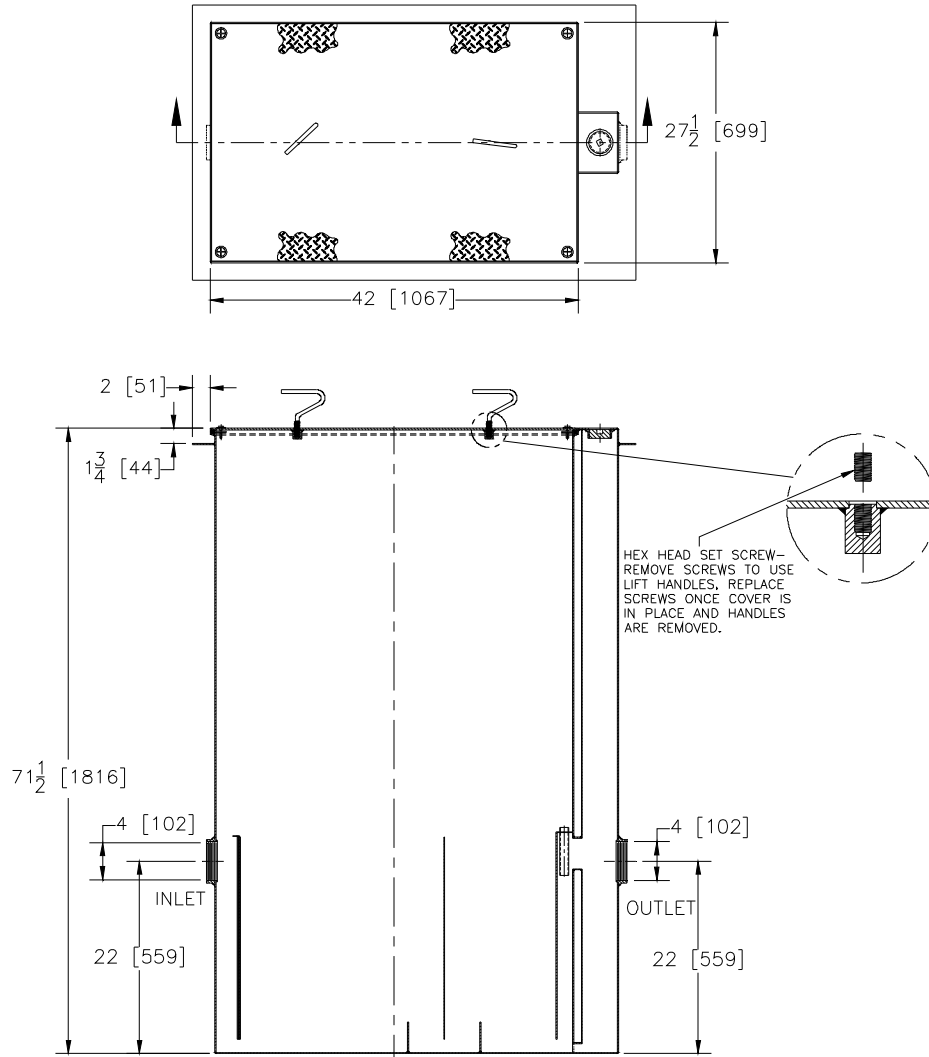
Z1172-157

LARGE CAPACITY GREASE INTERCEPTOR W/INTEGRAL EXTENSION AND ANCHOR FLANGE

SPECIFICATION SHEET

TAG _____

Dimensional Data (inches and [mm]) are Subject to Manufacturing Tolerances and Change Without Notice



ENGINEERING SPECIFICATION: ZURN Z1172-157

Large capacity Acid Resistant Coated interior and exterior fabricated steel grease interceptor with anchor flange, rated at ___ GPM and ___ Lbs. grease capacity, with internal air relief by-pass, bronze cleanout plug and visible double wall trap seal with removable pressure equalizing/flow diffusing baffle. Gasketed non-skid secured cover with covered removable lift handles, complete with flow control fitting. Regularly furnished with inlet and outlet in high position.

OPTIONS (Check/specify appropriate options)

PREFIXES

- ___ Z Acid Resistant Coated Fabricated Steel*
- ___ ZS All Type 304 Fabricated Stainless Steel

SUFFIXES

- ___ -AL Aluminum Cover
- ___ -HD Heavy duty traffic cover rated at 10,000 lbs. [4536 kg.] maximum safe live load.
- ___ -KC Anchor flange 1 3/4 [44] down from top and 2 [51] wide with clamp collar.
- ___ -L Angle type (Z1108-L) flow control device.

*REGULARLY FURNISHED UNLESS OTHERWISE SPECIFIED

REV.	DATE: 10/16/09	C.N. NO. 110338
DWG. NO. P-15784	PRODUCT NO. Z1172-157	

ZURN INDUSTRIES, LLC. ♦ SPECIFICATION DRAINAGE OPERATION ♦ 1801 Pittsburgh Ave. ♦ Erie, PA 16514

Phone: 814/455-0921 ♦ Fax: 814/454-7929 ♦ World Wide Web: www.zurn.com

In Canada: ZURN INDUSTRIES LIMITED ♦ 3544 Nashua Drive ♦ Mississauga, Ontario L4V1L2 ♦ Phone: 905/405-8272 Fax: 905/405-1292