



Z1388-76

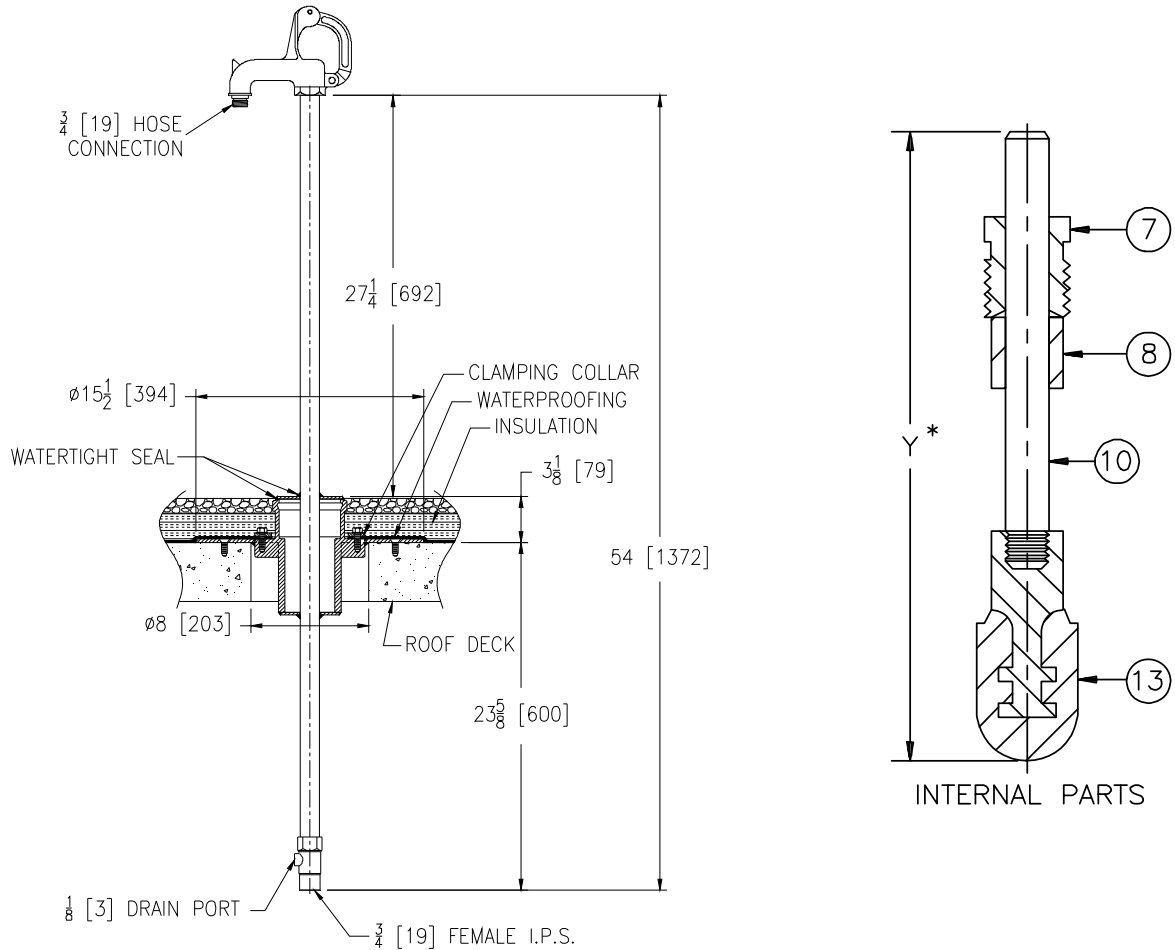
ROOF HYDRANT

Exposed Head, Non-Freeze

SPECIFICATION SHEET

TAG _____

Dimensional Data (inches and [mm]) are Subject to Manufacturing Tolerances and Change Without Notice



Approx. Wt. Lbs. [kg]
30 [14]

ENGINEERING SPECIFICATION: ZURN Z1388-76

Exposed, non-freeze roof hydrant, with Dura-Coated cast iron head and lift handle with lock option, bronze interior parts, galvanized steel casing, and bronze valve housing with 1/8 [3] IP drain port in housing. Complete with Dura-Coated cast iron roof support sleeve with wide anchoring flange and clamp collar.

Note: ** Non-Freeze feature will not automatically function when (-VB suffix) vacuum breaker is specified. The vacuum breaker must be manually tripped to facilitate drainage of hydrant.

OPTIONS (Check/specify appropriate options)

SUFFIXES

- _____ -AC Aluminum Casing Guard
- _____ -RK Hydrant Parts Repair Kit
- _____ -VB 3/4 [19] Adapter Vacuum Breaker**

PARTS LIST

<u>Item</u>	<u>Name</u>	<u>Quan.</u>
7	Operating Coupling	1
8	Packing	1
10	Operating Rod	1
13	Plunger	1

REV. A	DATE: 04/01/10	C.N. NO. 110934
DWG. NO. P-15837 PRODUCT NO. Z1388-76		

*WHEN ORDERING REPLACEMENT PARTS SPECIFY Y DIM.