



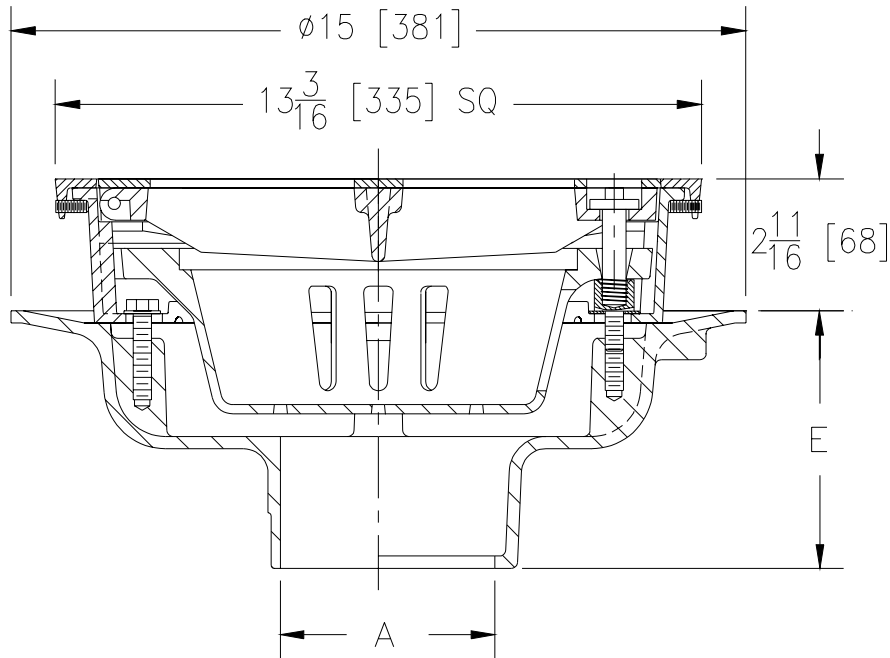
# Z-610-94

SPECIFICATION SHEET

## 12" [305] HEAVY DUTY DRAIN WITH HEEL PROOF GRATE

TAG \_\_\_\_\_

Dimensional Data (inches and [ mm ]) are Subject to Manufacturing Tolerances and Change Without Notice



A- Pipe Size In.	Approx. Wt. Lbs. [kg]	Grate Open Area Sq. In. [cm <sup>2</sup> ]
2-3-4-5-6 [50-75-100-125-150]	54 [24]	40 [258]
8-10 [200-250]	56 [25]	

**ENGINEERING SPECIFICATION:** ZURN ZN-610-94 12" [305] Square top drain, Dura-Coated cast iron body with bottom outlet, seepage pan and combination membrane flashing clamp and frame for heavy duty cast iron hinged locking slotted grate, nickel bronze veneer frame and heel proof veneer grate, with suspended aluminum sediment bucket.

### OPTIONS (Check/specify appropriate options)

#### PIPE SIZE

2 thru 6, 8, 10 [50 thru 150, 200, 250]  
 2 thru 4, 6 [50 thru 100, 150]  
 2 thru 6, 8, 10 [50 thru 150, 200, 250]  
 2 thru 6, 8, 10 [50 thru 150, 200, 250]  
 2 thru 4 [50 thru 100]  
 5,6 [127,150]

#### (Specify size/type) OUTLET

\_\_\_\_\_ IC Inside Caulk  
 \_\_\_\_\_ IG Inside Caulk w/Sealtrol Gskt.  
 \_\_\_\_\_ IP Threaded  
 \_\_\_\_\_ NH No-Hub  
 \_\_\_\_\_ NL Neo-Loc  
 \_\_\_\_\_ NL Neo-Loc

#### 'E' BODY HT. DIM.

5 1/4 [133]  
 5 1/4 [133]  
 3 3/4 [95]  
 5 1/4 [133]  
 4 5/8 [117]  
 5 1/2 [140]

#### PREFIXES

\_\_\_\_\_ ZN- D.C.C.I Body w/Polished Nickel Bronze Top (Add 3/16 [5] to 2 1/2 [64] Dim. and 11/16 [17] to 12 1/2 [318] Dim.)

#### SUFFIXES

_____ -AR Acid Resisting Epoxy Coated Cast Iron	_____ -SS Stainless Steel Mesh Liner For Bucket
_____ -DG Duresist Grate	_____ -TS Top Secured With Slotted Screws
_____ -DX Dex-o-tex Flange	_____ -V Backwater Valve (See Z-1099)
_____ -G Galvanized Cast Iron	_____ -VP Vandal Proof Secured Top
_____ -LY (Less) Bucket	_____ -90 90° Threaded Outlet Body
_____ -P Trap Primer Connection	
_____ -S Secondary Strainer	

REV. A      DATE: 3/8/99      C.N. NO. 82320

DWG. NO. P-14505      PRODUCT NO. Z-610-94

\*REGULARLY FURNISHED UNLESS OTHERWISE SPECIFIED

ZURN INDUSTRIES, INC. ♦ SPECIFICATION DRAINAGE OPERATION ♦ 1801 Pittsburgh Ave. ♦ Erie, PA 16514

Phone: 814/455-0921 ♦ Fax: 814/454-7929 ♦ World Wide Web: www.zurn.com

In Canada: ZURN INDUSTRIES LIMITED ♦ 3544 Nashua Drive ♦ Mississauga, Ontario L4V1L2 ♦ Phone: 905/405-8272 Fax: 905/405-1292