



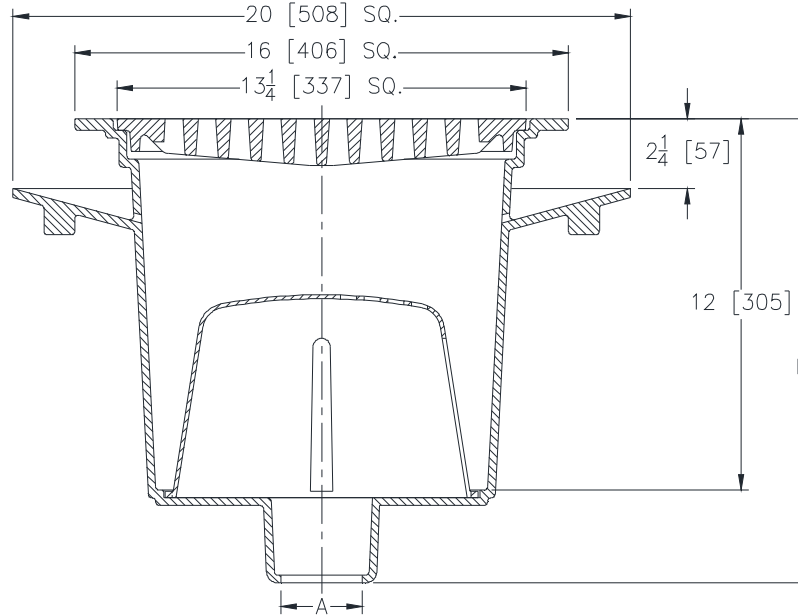
Z1926-33

16 X 16 [406 X 406] A.R.C. SANI-FLOR RECEPTOR
 12 [305] SUMP DEPTH W/ WHITE BOTTOM DOME
 STRAINER

SPECIFICATION SHEET

TAG _____

Dimensional Data (inches and [mm]) are Subject to Manufacturing Tolerances and Change Without Notice



A- Pipe Size In. [mm]	Approx Wt. Lbs. [kg]	Grate Open Area Sq. In. [cm ²]
2, 3, 4, 5, 6, 8 [51, 76, 102, 127, 152, 203]	152 [69]	54 [348]

ENGINEERING SPECIFICATION: ZURN Z1926-33

Sani-Flor Receptor 16" x 16" x 12" [406mm x 406mm x 305mm] deep cast iron body with seepage flange and square slotted heavy duty grate, with white acid resisting epoxy coated interior and top, complete with white A.R.C. aluminum bottom dome strainer.

OPTIONS (Check/specify appropriate options)

PIPE SIZE

(Specify size/type) **OUTLET**

'E' BODY HT. DIMENSION

			Z	ZN
3, 4, 6 [76, 102, 152]	___	IC Inside Caulk	15 [381]	15-3/16 [386]
2, 3, 4, 5, 6, 8 [51, 76, 102, 127, 152, 203]	___	NH No-Hub	15 [381]	15-3/16 [386]
2, 3, 4 [51, 76, 102]	___	NL Neo-Loc	14-1/4 [362]	14-7/16 [367]

PREFIXES

- ___ Z Cast Iron Body with White A.R.C. Interior*
- ___ ZN Cast Iron Body with White A.R.C. Interior, 16-3/4 [425] Square Nickel Bronze Frame and Full Grate

SUFFIXES

- ___ -C Clamp Collar
- ___ -P 1/2 [13] Trap Primer Connection
- ___ -TC Neo-Loc Test Cap Gasket (2, 3, 4 [51, 76, 102] NL Bottom Outlet Only)
- ___ -1 Less Grate
- ___ -2 1/2 Grate
- ___ -3 3/4 Grate
- ___ -4 Full Grate with 3-3/4 [95] Center Opening
- ___ -6 Grate w/ 6 [152] Dia. x 6 [152] High Funnel
- ___ -8 Grate w/ 8-7/8 x 3-5/8 x 3-3/4 [225 x 92 x 95] High Oval Funnel
- ___ -11 Vandal-Proof Secured Grate
- ___ -15 Solid Loose Set Cover (ZN Only)

* Regularly furnished unless otherwise specified.