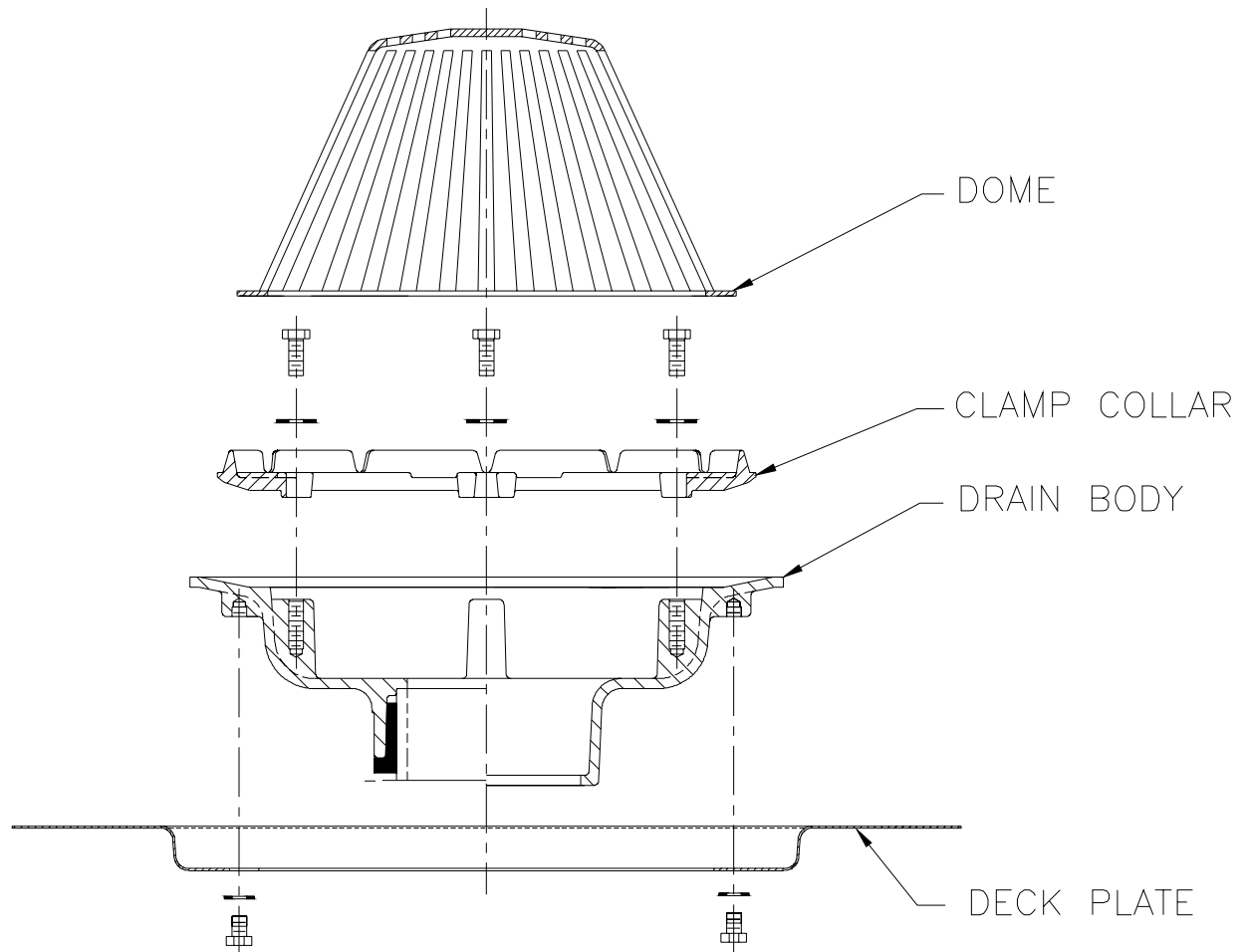




# TOP-SET<sup>®</sup> DECK PLATE INSTALLATION INSTRUCTIONS



1. Create a square opening in roof (Q-deck) to receive drain assembly.  
Opening sizes are:   Z100 18" x 18"  
                              Z121 15" x 15"  
                              Z125 11" x 11"
2. Fasten drain body to deck plate by aligning the (4) bosses on body and (4) slots on plate using bolts provided.
3. Put body/plate assembly onto the precut opening in the roof, aligning deck plate attachment slots in the appropriate position.
4. Fasten the assembly to the roof with self-tapping screws. (provided by others)
5. Install insulation (if required) and secure waterproofing membrane to roof drain body with the clamp collar.
6. Attach dome to clamp collar to complete assembly.



Form # RD54

Date: 5/4/04

C.N. No. 92151

Rev.