



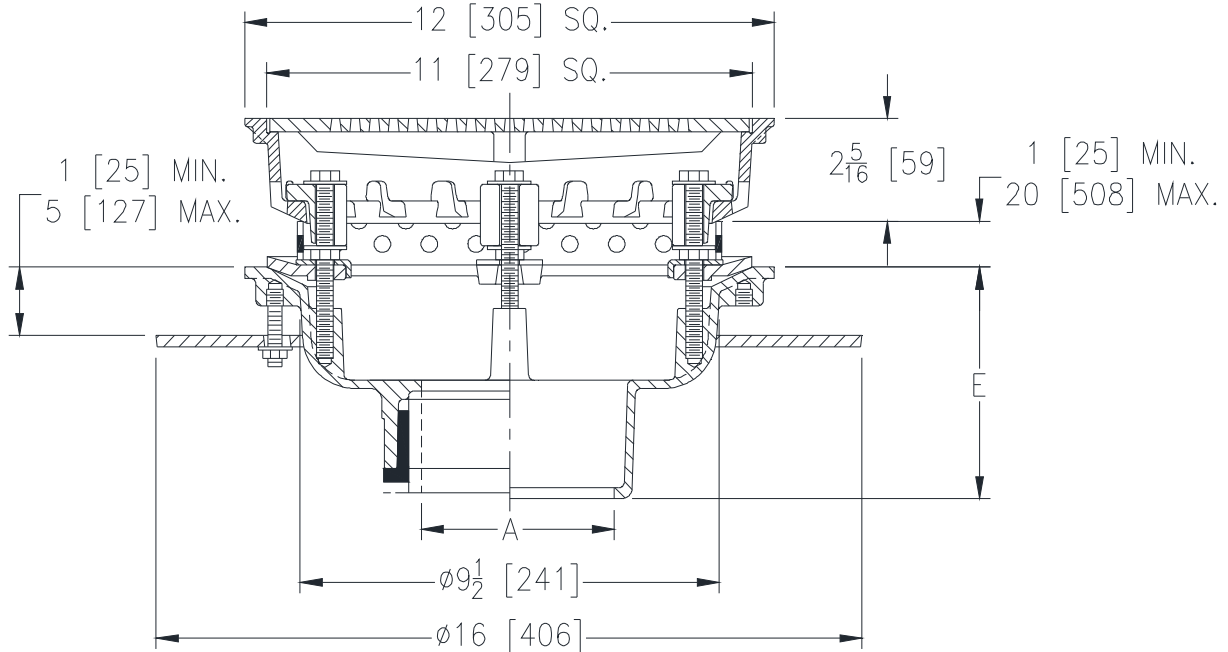
# Z154-C-85

12 [305] SQUARE TOP PROM-DECK DRAIN W/  
PERFORATED EXTENSION, HEEL-PROOF GRATE,  
UNDERDECK CLAMP, AND ROTATABLE FRAME

SPECIFICATION SHEET

TAG \_\_\_\_\_

Dimensional Data (inches and [ mm ]) are Subject to Manufacturing Tolerances and Change Without Notice



A Pipe Size In. [mm]	Approx. Wt. Lbs. [kg]	Grate Open Area Sq. In. [cm <sup>2</sup> ]
2,3,4,6 [51,76,102,152]	31 [14]	34 [219]

**ENGINEERING SPECIFICATION: ZURN Z154-C-85**  
12" [305mm] Square top Prom-Deck drain, Dura-Coated cast iron body with rotatable square promenade frame with seepage openings, frame clamps, perforated stainless steel extension, light duty heel-proof grate and underdeck clamp.

**OPTIONS** (Check/specify appropriate options)

**PIPE SIZE**

- 2, 3, 4, 6 [51, 76, 102, 152]
- 2, 3, 4, 6 [51, 76, 102, 152]
- 2, 3, 4, 6 [51, 76, 102, 152]
- 2, 3, 4 [51, 76, 102]

(Specify size/type) **OUTLET**

- \_\_\_ IC Inside Caulk
- \_\_\_ IP Threaded
- \_\_\_ NH No-Hub
- \_\_\_ NL Neo-Loc

**'E' BODY HT. DIM.**

- 5-1/4 [133]
- 3-3/4 [95]
- 5-1/4 [133]
- 4-9/16 [116]

**PREFIXES**

- \_\_\_ Z D.C.C.I. Body with Top\*
- \_\_\_ ZB D.C.C.I. Body with Polished Bronze Top (Add 3/16 [5] to 2-5/16 [59] Dim. & 5/8 [16] to 12 [305] Dim.)
- \_\_\_ ZN D.C.C.I. Body with Polished Nickel Bronze Top (Add 3/16 [5] to 2-5/16 [59] Dim. & 5/8 [16] to 12 [305] Dim.)

**SUFFIXES**

- \_\_\_ -AR Acid Resistant Epoxy Coated
- \_\_\_ -DG Duresist Grate (Z Only)
- \_\_\_ -DT Decorative Polished Top (ZB and ZN Only)
- \_\_\_ -E Static Extension  
(1 [25] thru 4 [102] Specify Height)
- \_\_\_ -G Galvanized Cast Iron
- \_\_\_ -S Secondary Strainer
- \_\_\_ -TC Neo-Loc Test Cap Gasket  
(2,3,4 [51,76,102] NL Bottom Outlet Only)
- \_\_\_ -TS Top Secured with Slotted Screws
- \_\_\_ -VP Vandal-Proof Secured Top
- \_\_\_ -Y Sediment Bucket
- \_\_\_ -90 90° Threaded Side Outlet Body  
(2,3,4 [51,76,102])

\* Regularly furnished unless otherwise specified.