



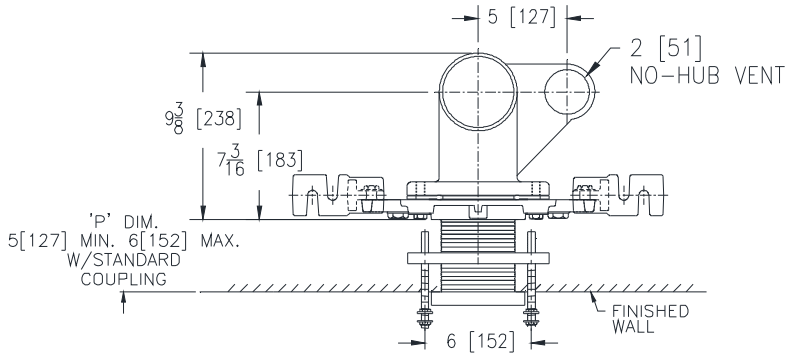
ZN1204-87

NARROW WALL ADJUSTABLE VERTICAL SIPHON JET NO-HUB
W/ MODIFIED FACE PLATE FOR 4 [102] ROUGH-IN, FLOOR
MOUNTED BACK OUTLET FIXTURE SUPPORT

SPECIFICATION SHEET

TAG _____

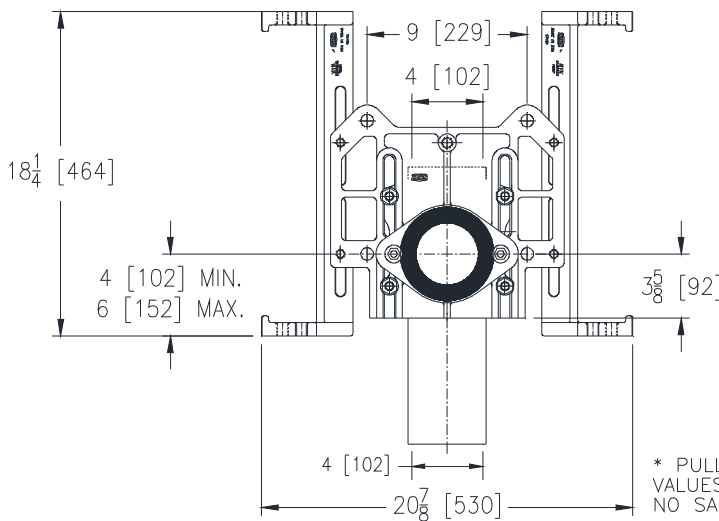
Dimensional Data (inches and [mm]) are Subject to Manufacturing Tolerances and Change Without Notice



Product Number	Approx. Wt. Lbs. [kg]
ZN1204-87	80 [36]

Note:

1. Min. 'P' Dim. Obtainable= 2 [51]
2. 2 [51] No-Hub vent connection regularly furnished on right hand side. Left hand available when specified (Suffix- VL)
3. Auxiliary inlet available right (-JR) or left (-JL) or both sides (-JJ) when specified.
4. Feet bolted to floor using back slots on carrier feet.



ENGINEERING SPECIFICATION: ZURNZN1204-87

Narrow wall adjustable, vertical siphon jet water closet "Rigid System" with 4" [102mm] size No-Hub connections and () side inlets. Complete with Dura-Coated cast iron right hand, left hand, or double main fitting, with 2" [51mm] vent, modified adjustable gasketed chase saver floor mount back outlet face plate, RYK-Unistrut Pre-Fab foot supports, corrosion resistant adjustable ABS coupling with integral test cap, fixture bolts, trim, and bonded "Neo-Seal" gasket, and floor mount back outlet fixture support.

PRODUCT/DEFINITION

_____ ZN1204-87 No-Hub Stack, Single Inlet, 2 [51] Right Hand Vent

PREFIXES

- _____ Z D.C.C.I. System with Zurn "ZZ" Adjustable Coupling*
- _____ ZQ D.C.C.I. System with N.P.T. Faceplate, Non-Adjustable Coupling

SUFFIXES

- _____ -B Blowout Type Fixture Support
- _____ -CC Corrosion Resistant Cast Iron Coupling (6 [152] to 12 [305])
- _____ -CL Coupling Length Greater than 12 [305] (Specify Length Required)
- _____ -G Galvanized Cast Iron
- _____ -JJ Two 2 [51] Auxiliary Inlets
- _____ -JL 2 [51] Left Hand Auxiliary Inlet
- _____ -JR 2 [51] Right Hand Auxiliary Inlet
- _____ -VL Left Hand Vent Connection
- _____ -VP Vandal-Proof Trim
- _____ -61 "ZZ" Coupling Wrench

* Regularly furnished unless otherwise specified.