



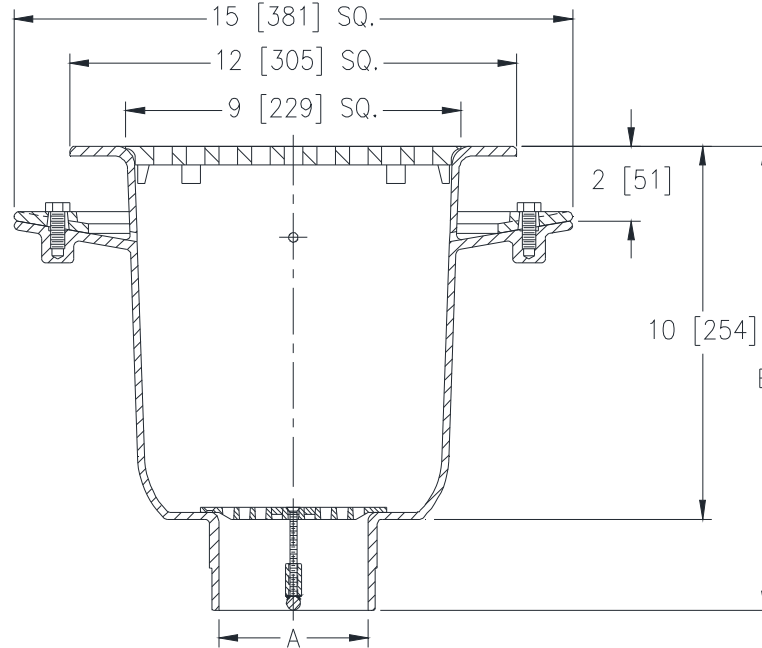
# Z1902-KC-VPS

12 x 12 [305 x 305] A.R.E. SANI-FLOR RECEPTOR  
 10 [254] SUMP DEPTH W/ ANCHOR FLANGE W/ SEEP-  
 AGE HOLES & CLAMP COLLAR & VANDAL-PROOF FLAT  
 BOTTOM STRAINER & LOCKDOWN BAR

SPECIFICATION SHEET

TAG \_\_\_\_\_

Dimensional Data (inches and [ mm ]) are Subject to Manufacturing Tolerances and Change Without Notice



A - Pipe Size In. [mm]	Approx Wt. Lbs. [kg]	Grate Open Area Sq. In. [cm <sup>2</sup> ]
3, 4 [76, 102]	32 [15]	31 [200]

### ENGINEERING SPECIFICATION: ZURN Z1902-KC-VPS

Sani-Flor Receptor 12" x 12" x 10" [305mm x 305mm x 254mm] deep cast iron body with seepage flange and clamp collar, square slotted light-duty grate, with white acid resisting porcelain enamel interior and top, and black ground enamel exterior coating, complete with internal vandal-proof flat bottom bronze strainer with lockdown bar.

### OPTIONS (Check/specify appropriate options)

#### PIPE SIZE

3, 4 [76, 102]

#### (Specify size) OUTLET

\_\_\_ NH No-Hub

### 'E' BODY HT. DIMENSION

#### Z

12-5/8 [219]

#### ZN/ZS

13-1/8 [232]

### PREFIXES

- \_\_\_ Z Cast Iron Body w/ White A.R.E. Interior\*
- \_\_\_ ZN Cast Iron Body w/ White A.R.E. Interior, 12 1/2 [318] Square N.B. Frame and Full Grate w/ 1/2 [13] Square Openings (Add 1/2 [13] to 12 [305] and 'E' Dim.)
- \_\_\_ ZS Cast Iron Body w/ White A.R.E. Interior, 12 1/2 [318] Square Stainless Steel Frame and Full Grate w/ 1/2 [13] Square Openings (Add 1/2 [13] to 12 [305] and 'E' Dim.)

### SUFFIXES

- \_\_\_ -DX Dex-o-Tex Flange (ZN Only)
- \_\_\_ -HD Stainless Steel Frame w/ Extra-Heavy Duty  
Stainless Steel Grate (ZS Only)
- \_\_\_ -HP Heel-Proof Grate (ZN Only)
- \_\_\_ -P 1/2 [13] Trap Primer Connection (See Z1023)
- \_\_\_ -SA Stabilizer Assembly (See Z1903)
- \_\_\_ -1 (Less) Grate
- \_\_\_ -2 1/2 Grate
- \_\_\_ -3 3/4 Grate
- \_\_\_ -4 Full Grate w/ Center Opening (2 [51] Dia. for Z)  
and (3-1/32 [77] Square for ZN & ZS)
- \_\_\_ -6 Grate w/ 6 [152] Dia. x 6 [152] High Funnel
- \_\_\_ -8 Grate w/ 8-7/8 x 3-5/8 x 3-3/4 [225 x 92 x 95]  
High Oval Funnel
- \_\_\_ -11 Vandal-Proof Secured Top (ZN & ZS Only)
- \_\_\_ -15 Solid Loose Set Cover (Z & ZN Only)
- \_\_\_ -19 Full Hinged Grate (ZN Only)
- \_\_\_ -23 Aluminum Bucket
- \_\_\_ -25 White A.R.C. Bucket
- \_\_\_ -31 Stainless Steel Mesh Liner for Bucket

\* Regularly furnished unless otherwise specified.

Zurn Industries, LLC | Specification Drainage Operation  
 1801 Pittsburgh Avenue, Erie, PA U.S.A. 16502 · Ph. 855-663-9876, Fax 814-454-7929  
 In Canada | Zurn Industries Limited  
 3544 Nashua Drive, Mississauga, Ontario L4V 1L2 · Ph. 905-405-8272, Fax 905-405-1292  
[www.zurn.com](http://www.zurn.com)

Rev. B  
 Date: 10/12/2017  
 C.N. No. 138754  
 Prod. | Dwg. No. Z1902-KC-VPS