



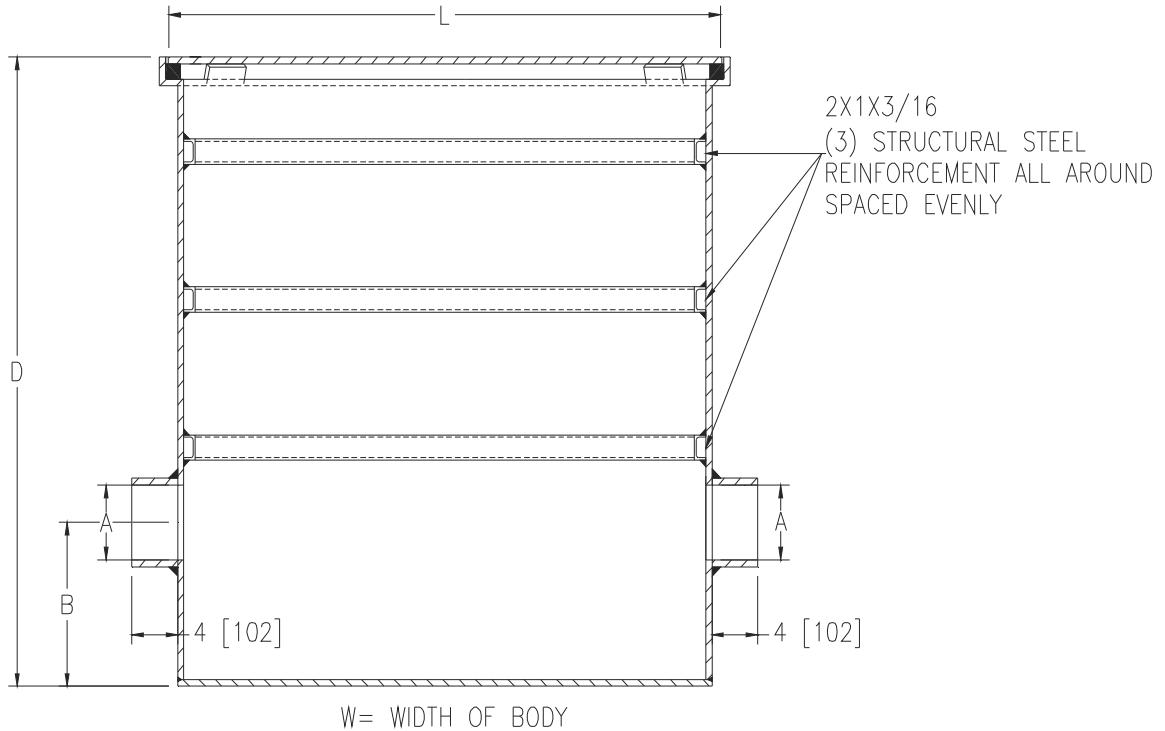
Z1187-SI-114

ACCESS HOUSING W/ SOLID COVER

SPECIFICATION SHEET

TAG _____

Dimensional Data (inches and [mm]) are Subject to Manufacturing Tolerances and Change Without Notice



Size	A	B	D	L	W
1	10 [254]	19-1/2 [495]	82-1/2 [2096]	48 [1219]	48 [1219]
2	6 [152]	18-1/2 [470]	54-1/2 [1384]	48 [1219]	48 [1219]
3	10 [254]	19-1/2 [495]	68-1/2 [1740]	48 [1219]	48 [1219]
4	6 [152]	18-1/2 [470]	64-1/2 [1638]	48 [1219]	48 [1219]
5	10 [254]	19-1/2 [495]	55-1/2 [1410]	48 [1219]	48 [1219]
6	10 [254]	19-1/2 [495]	59-1/2 [1511]	48 [1219]	48 [1219]

ENGINEERING SPECIFICATION: ZURNZ1187-SI-114 Acid Resistant Coated interior and exterior fabricated steel Access Housing, complete with removable Heavy-Duty gasketed traffic cover rated at 10,000 lb [4536 kg] maximum safe live load and pipe sleeve welded to inlet/outlet exterior.

OPTIONS (Check/specify appropriate options)

PREFIXES

- ___ Z Acid Resistant Coated Fabricated Steel*
- ___ ZS Type 304 Fabricated Stainless Steel

REV. B	DATE: 05/07/13	C.N. NO. 129299
PROD./DWG. NO. Z1187-SI-114		

*REGULARLY FURNISHED UNLESS OTHERWISE SPECIFIED