



ZE1201-N_4-45-50

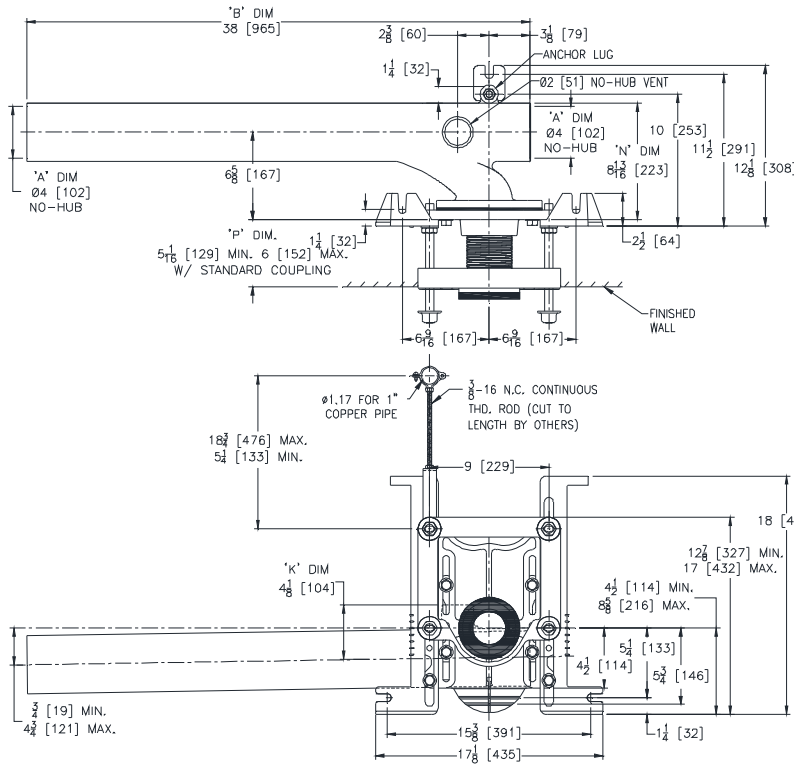
ELONGATED BARREL FITTING 38 [965] EZCARRY® ADJUSTABLE HORIZONTAL HIGH PERFORMANCE SIPHON JET NO-HUB WATER CLOSET CARRIER SYSTEM WITH FINISHING FRAME & FLUSHING VALVE SUPPLY SUPPORT

SPECIFICATION SHEET

TAG _____

Dimensional Data (inches and [mm]) are Subject to Manufacturing Tolerances and Change Without Notice

ZE1201-NR4-45-50 Illustrated

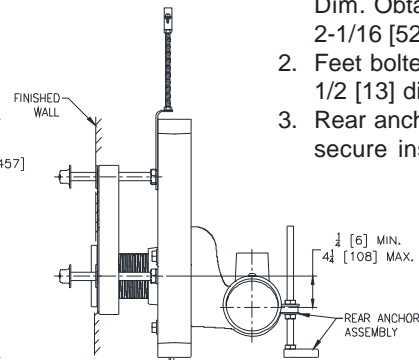


PATENT PENDING

Product Number	Approx. Wt. lbs [kg]
ZE1201-NL4-45-50	97 [44]
ZE1201-NR4-45-50	

Note:

- ZZ coupling, Min. 'P' Dim. Obtainable=2 [51]. EZ-Set™ Coupling, Min. 'P' Dim. Obtainable=4-1/4 [108] or 2-1/16 [52] for 12 [305] NPT.
- Feet bolted to floor using min. 1/2 [13] dia. anchors.
- Rear anchor foot required for secure installation.



ENGINEERING SPECIFICATION: ZURN ZE1201-N_4-45-50

EZCarry® horizontal siphon jet water closet carrier system, with high performance Dura-Coated cast iron main fitting with hydro-mechanically optimized sweep, 4" [102 mm] no-hub connections, 38" [965 mm] barrel for stall to stall direct connection, and extended 2" [51 mm] vent. Corrosion resistant, adjustable 3" [76 mm] dia. X 6" [152 mm] coupling with integral test cap, designed to increase flow velocity and line carry, and labor saving "Neo-Seal" bonded gasket optimizes flow performance while reducing installation steps. Complete system includes an adjustable, gasketed faceplate; finishing frame, floor mounted foot supports with top anchoring pre-fab support base, flush valve supply support; heavy-duty 1/2" [13 mm] rear anchor tie down; fixture bolts, trim, and stud protectors. EZCarry® narrow wall system complies with all applicable requirements of ASME A112.6.1M up to a 500 lbs [227 kg] maximum static load.

OPTIONS (Check/specify appropriate options)

- ___ ZE1201-NL4-45-50 4 [102] No-Hub Elongated Left Hand Inlet with Flow to Right
- ___ ZE1201-NR4-45-50 4 [102] No-Hub Elongated Right Hand Inlet with Flow to Left

PREFIXES

- ___ ZE D.C.C.I. System with Zurn ZZ Adjustable Coupling*
- ___ ZQE D.C.C.I. System with NPT Faceplate, Non-Adjustable Coupling

SUFFIXES

- | | |
|---|---|
| ___ -A Auxiliary Support Assembly
(For 'P' Dim. Greater than 18 [457]) | ___ -CS 2-1/4 [57] Polymer Coupling w/ Integral Test Cap
(ZZ Coupling Only) |
| ___ -CC Corrosion Resistant Cast Iron Coupling
(2-1/4 to 12 [57 to 305]) | ___ -F Floor Mounted, Back Outlet Fixture Support |
| ___ -CE EZ-Set™ Coupling (NPSM 6 [152], 12 [305] or custom)
(NPT 12 [305] or custom) | ___ -G Galvanized Cast Iron |
| ___ -CL Custom Length Standard Coupling with Integral Test Cap
(Specify Length 4, 8, 10, 12 [102, 203, 254, 305]) | ___ -M Auxiliary Foot Support
(for 'P' Dim. 7 thru 18 [178 thru 457]) |
| | ___ -RYK17 One Piece Unistrut Pre-Fab Foot |
| | ___ -VP Vandal-Proof Trim |

* Regularly furnished unless otherwise specified.

Zurn Industries, LLC | Specification Drainage Operation
 1801 Pittsburgh Avenue, Erie, PA U.S.A. 16502 · Ph. 856-663-9876, Fax 814-454-7929
 In Canada | Zurn Industries Limited
 3544 Nashua Drive, Mississauga, Ontario L4V 1L2 · Ph. 905-405-8272, Fax 905-405-1292
www.zurn.com

Rev. -
 Date: 10/18/2018
 C.N. No. 140768
 Prod. | Dwg. No. ZE1201-N_4-45-50