

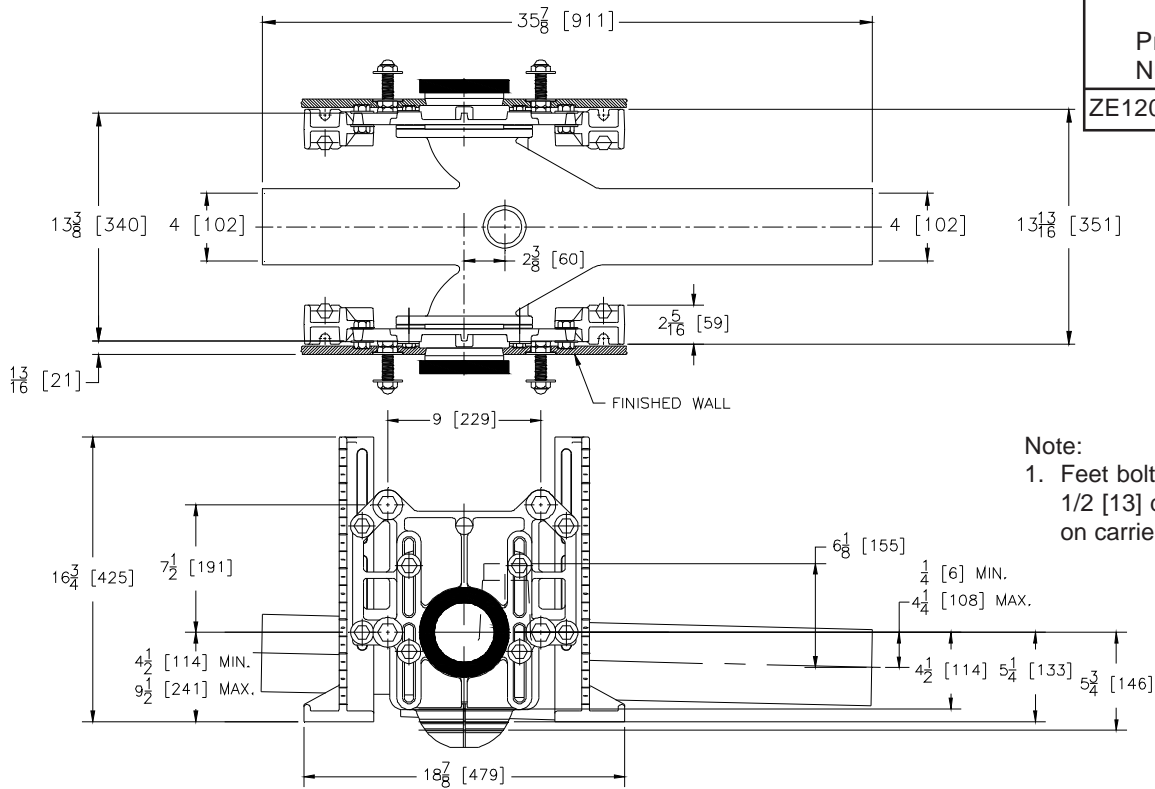


ZE1203-122

SPECIFICATION SHEET

ADJUSTABLE HORIZONTAL BACK TO BACK SIPHON JET TAG _____ NO-HUB NARROW WALL SYSTEM W/ ELONGATED FITTING

Dimensional Data (inches and [mm]) are Subject to Manufacturing Tolerances and Change Without Notice



Product Number	Approx. Wt. Lbs. [kg]
ZE1203-ND4-122	140 [64]

Note:

1. Feet bolted to floor using min. 1/2 [13] dia. bolts and back slots on carrier feet.

ENGINEERING SPECIFICATION: ZURN ZE1203-ND4-122

Adjustable, horizontal siphon jet water closet "Rigid System" with 4 [102] No-Hub connections. Complete with Dura-Coated cast iron fitting, with 2 [51] vent, adjustable gasketed chase saver faceplates, universal floor mounted foot supports, corrosion resistant adjustable ABS couplings with integral test cap, fixture bolts, trim, stud protectors and bonded "Neo-Seal" gaskets.

OPTIONS (Check/specify appropriate options)

ZE1203-ND4-122 4 [102] No-Hub Back to Back Inlet (Double)

PREFIXES

- ____ ZE D.C.C.I. Elongated Fitting System with Zurn "ZZ" Adjustable Coupling*
- ____ ZEQL D.C.C.I. Elongated Fitting System with NPT Faceplate, Non-Adjustable Coupling

SUFFIXES

- ____ -B Blowout Type Fixture Support
- ____ -CV Closed Vent (Use only when local codes allow)
- ____ -G Galvanized Cast Iron
- ____ -JC 2 [51] Auxiliary Inlet on Faceplate Centerline (No-Hub Only)
- ____ -T Threaded Connection (Available on Restricted Basis Only)
- ____ -VP Vandal-Proof Trim
- ____ -X3 3 [76] Foot Extension Assembly
- ____ -X4 4 [102] Foot Extension Assembly
- ____ -50 Flush Valve Supply Support for Water Closets
- ____ -61 "ZZ" Coupling Wrench

REV.	DATE: 10/13/11	C.N. NO. 122270
DWG. NO. 307959		PRODUCT NO. ZE1203-122

*REGULARLY FURNISHED UNLESS OTHERWISE SPECIFIED