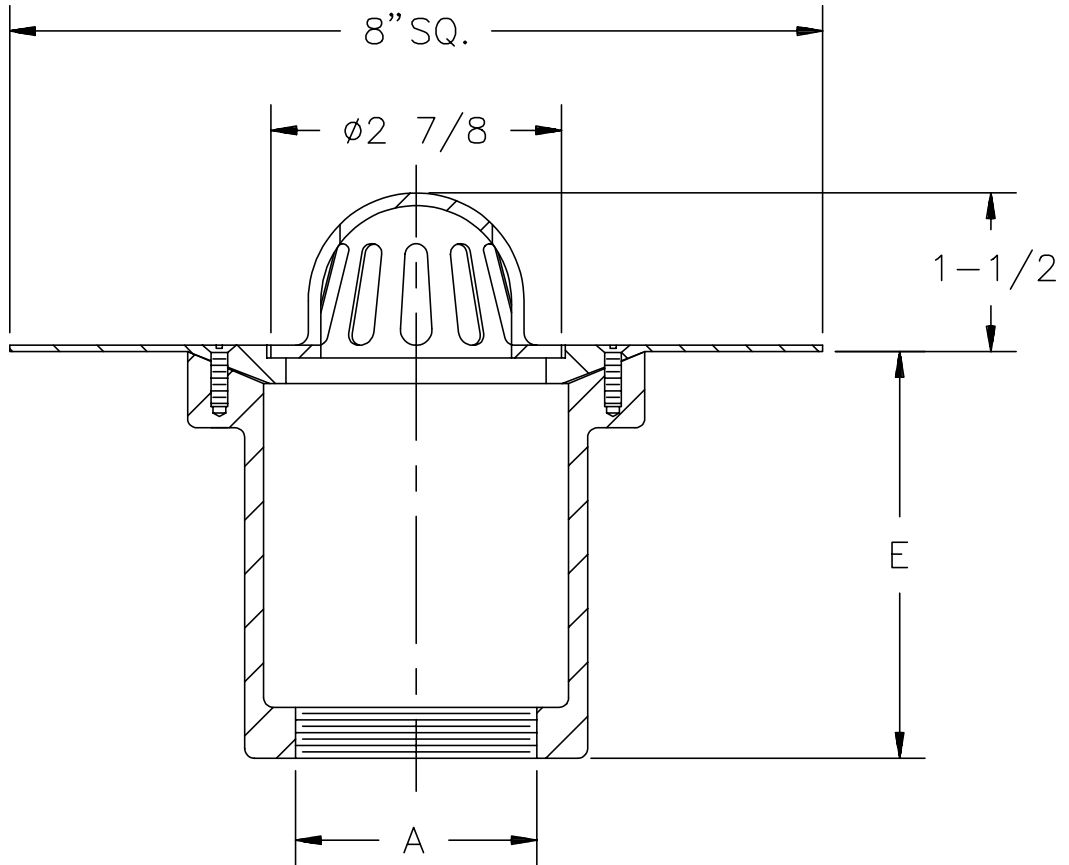




**Z-180-77 8" SQ. CORNICE DRAIN
BOTTOM OUTLET**

TAG _____

Dimensions Subject to Manufacturing Tolerances



A- Pipe Size In.	Approx. Wt. Lbs.	Dome Open Area Sq. In.
2-3	5	4.5

ENGINEERING SPECIFICATION: ZURN ZRB-180 8" Square by 2" High Cornice drain, Dura-Coated cast iron body, plain bronze dome and membrane flashing clamp.

OPTIONS (Check/specify appropriate options)

OUTLET (Specify type)

- _____ IP Threaded
- _____ NH No-Hub

PIPE SIZE (Specify size)

- _____ 2",3"
- _____ (IP w/Z-1040)

'E' BODY HT. DIMENSION

2"

PREFIXES

- _____ ZRB- D.C.C.I. Body with Plain Bronze Dome*
- _____ ZB- D.C.C.I. Body with Polished Bronze Dome
- _____ ZN- D.C.C.I. Body with Polished Nickel Bronze Dome

SUFFIXES

- _____ -FS Flat Strainer (ZB or ZN)
- _____ -G Galvanized Cast Iron
- _____ -HD 3" High Dome
- _____ -VP Vandal Proof Secured Top
- _____ -4 With 4" High Body
- _____ -8 With 8" High Body

REV. _____ DATE: 5/12/93 C.N. NO. 69029

DWG. NO. P-13818 PRODUCT NO. Z-180-77

*REGULARLY FURNISHED UNLESS OTHERWISE SPECIFIED

ZURN INDUSTRIES, INC. ♦ SPECIFICATION DRAINAGE OPERATION ♦ 1801 Pittsburgh Ave. ♦ Erie, PA 16514

Phone: 814/455-0921 ♦ Fax: 814/454-7929 ♦ World Wide Web: www.zurn.com

In Canada: ZURN INDUSTRIES LIMITED ♦ 3544 Nashua Drive ♦ Mississauga, Ontario L4V1L2 ♦ Phone: 905/405-8272 Fax: 905/405-1292