



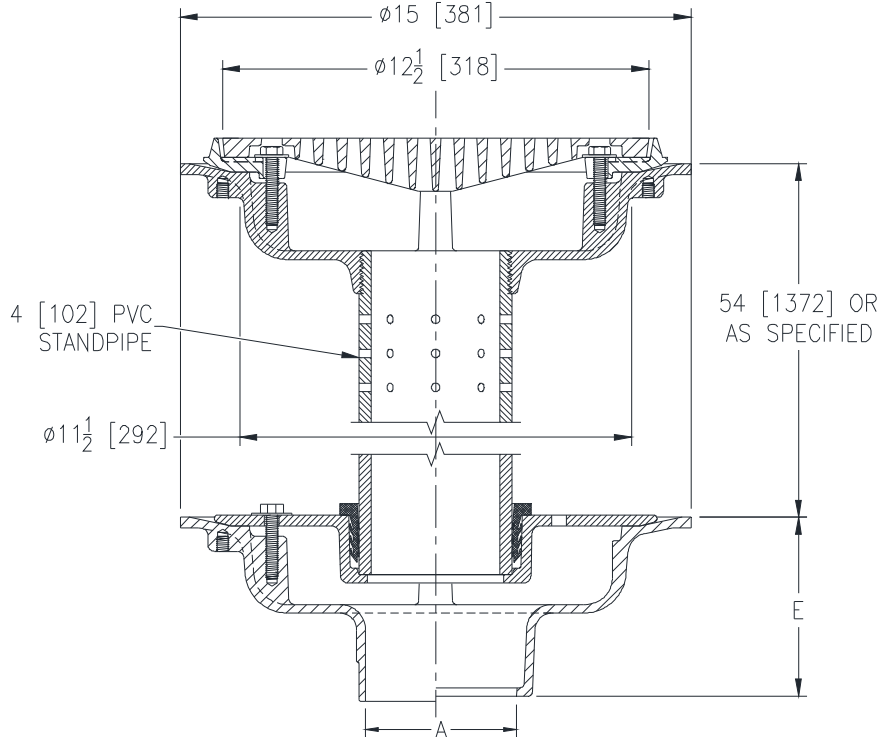
# Z624-125

## ISOLATION DECK DRAIN W/ Z100 UPPER DRAIN ASSEMBLY WITH FLUSH GRATE AND PERFORATED STANDPIPE

SPECIFICATION SHEET

TAG \_\_\_\_\_

Dimensional Data (inches and [ mm ]) are Subject to Manufacturing Tolerances and Change Without Notice



A Pipe Size Inches [mm]	Approx. Wt. Lbs. [kg]	Dome Open Area Sq. In. [cm <sup>2</sup> ]
2, 3, 4 [51, 76, 102]	56[25]	103 [665]
6 [152]		

### ENGINEERING SPECIFICATION: ZURN Z624-125

Floating slab drain, Dura-Coated cast iron upper and lower bodies, clamp collar with weep holes, neoprene flex gasket, perforated isolation nipple, combination membrane flashing clamp/gravel guard, and flush grate.

### OPTIONS (Check/specify appropriate options)

#### PIPE SIZE

2,3,4,6 [51,76,102,152]

2,3,4 [51,76,102]

#### (Specify size/type) OUTLET

\_\_\_\_ NH No-Hub

\_\_\_\_ NL Neo-Loc

#### 'E' BODY HT. DIM.

5-1/4 [133]

4-5/8 [117]

#### PREFIXES

\_\_\_\_ Z D.C.C.I. Body with Grate\*

#### SUFFIXES

- \_\_\_\_ -C Underdeck Clamp (Lower Body)
- \_\_\_\_ -DP Top-Set® Deck Plate (Replaces both the -C and -R)
- \_\_\_\_ -DX Dex-O-Tex Flange (Upper Body)
- \_\_\_\_ -G Galvanized Cast Iron
- \_\_\_\_ -LH Less Weep Holes in Clamp Collar
- \_\_\_\_ -R Sump Receiver (Lower Body)
- \_\_\_\_ -VP Vandal-Proof Secured Top

\* Regularly furnished unless otherwise specified.