



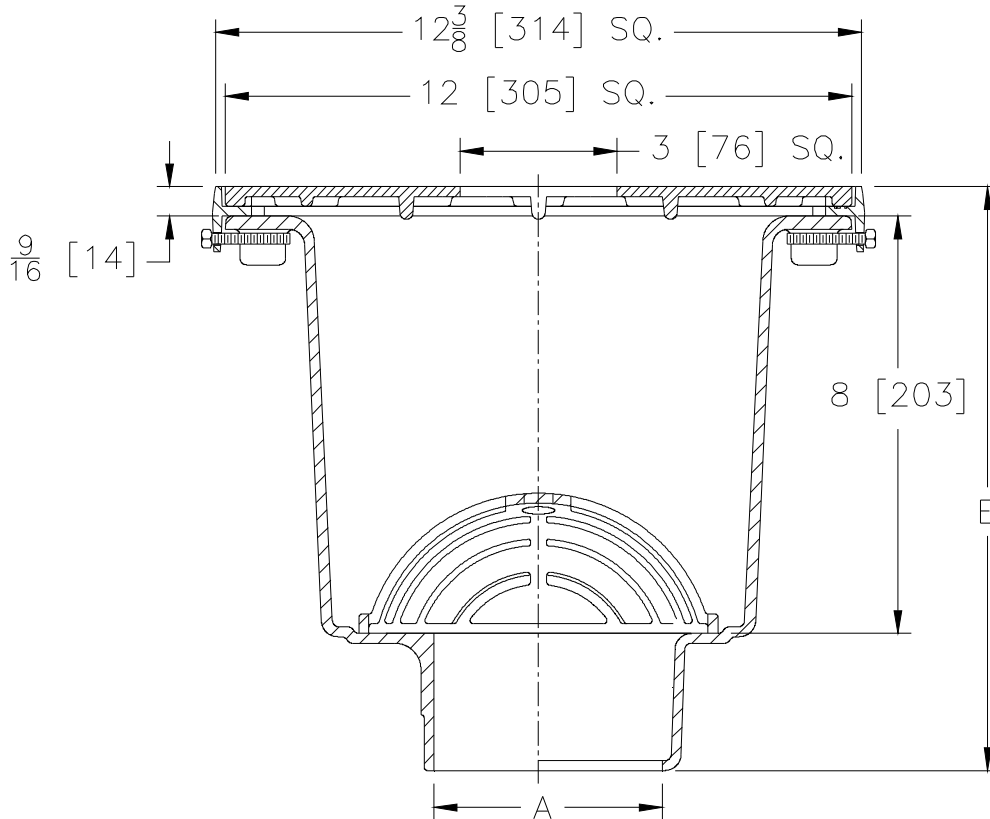
# ZN1901-18-32

12 3/8 X 12 3/8 [315 X 315] A.R.E. SANI-FLOR RECEPTOR  
 W/ 8 [203] SUMP DEPTH, N.B. FRAME, AND  
 SOLID COVER W/ 3 [76] SQUARE CENTER OPENING &  
 ALUMINUM DOME STRAINER

SPECIFICATION SHEET

TAG \_\_\_\_\_

Dimensional Data (inches and [ mm ]) are Subject to Manufacturing Tolerances and Change Without Notice



A- Pipe Size In.	Approx Wt. Lbs. [kg]	Cover Open Area Sq. In. [cm <sup>2</sup> ]
2-3-4 [51-76-102]	34 [335]	5 [128]

**ENGINEERING SPECIFICATION: ZURN ZN1901-18-32**  
 Sani-Flor Receptor 12-3/8 x 12-3/8 x 8 [315 x 315 x 203] deep cast iron body with white acid resisting porcelain enamel interior with nickel bronze frame and solid cover with 3 [76] square center opening, complete with aluminum anti-splash interior bottom dome strainer.

**OPTIONS** (Check/specify appropriate options)

**PIPE SIZE**

- 2-3-4 [51-76-102]
- 2-3-4 [51-76-102]
- 2-3-4 [51-76-102]

(Specify size/type) **OUTLET**

- \_\_\_\_\_ IC Inside Caulk
- \_\_\_\_\_ NH No-Hub
- \_\_\_\_\_ NL Neo-Loc

**'E' DIMENSION**

- 11-1/8 [283]
- 11-1/8 [283]
- 10-1/2 [267]

**PREFIXES**

- \_\_\_\_\_ ZN Cast Iron Body with White A.R.E. Interior, 12-3/8 [314] Square N.B. Frame and Solid Cover with 2-1/4 [57] Square Opening.\*

**SUFFIXES**

- \_\_\_\_\_ -DX Dex-o-Tex Flange
- \_\_\_\_\_ -K Anchor Flange with Seepage Holes
- \_\_\_\_\_ -KC Anchor Flange with Seepage Holes and Clamp Collar
- \_\_\_\_\_ -LD (Less) Bottom Strainer
- \_\_\_\_\_ -P 1/2 [13] Trap Primer Connection (See Z1023)
- \_\_\_\_\_ -SA Stabilizer Assembly (See Z1903)
- \_\_\_\_\_ -TC Neo-Loc Test Cap Gasket  
(2 [51]-4 [102] NL Bottom Outlet Only)
- \_\_\_\_\_ -VPS Vandal-Proof Strainer

REV. A	DATE: 08/01/11	C.N. NO. 121748
DWG. NO. 84409		PRODUCT NO. ZN1901-18-32

\*REGULARLY FURNISHED UNLESS OTHERWISE SPECIFIED