



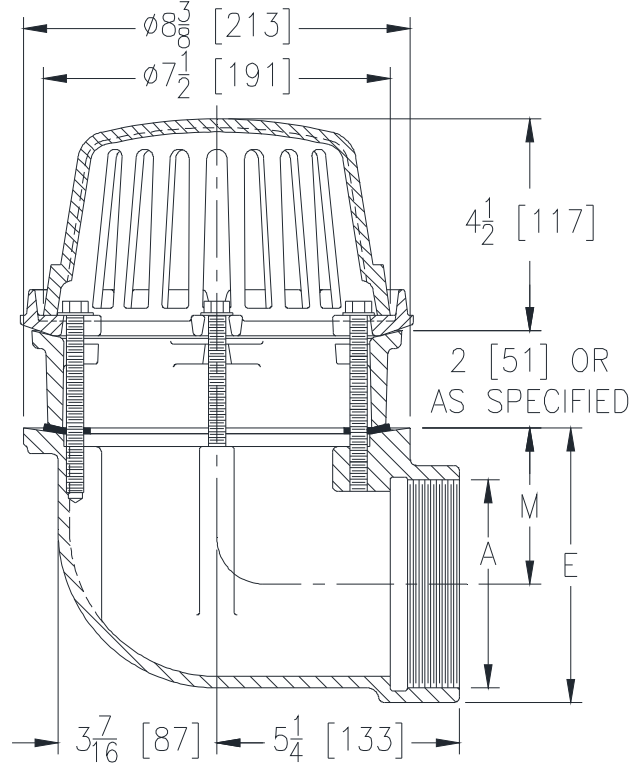
Z125-E-90

8-3/8 [213] DIAMETER LATERAL ROOF DRAIN WITH STATIC EXTENSION

SPECIFICATION SHEET

TAG _____

Dimensional Data (inches and [mm]) are Subject to Manufacturing Tolerances and Change Without Notice



Dimensions Inches[mm]		Approx. Wt. Lbs. [kg]	Dome Open Area Sq. In [cm ²]
A - Pipe Size	M		
2 [51]	4-7/16 [114]	35 [16]	42 [271]
3 [76]	3-7/8 [102]		
4 [102]	3-3/8 [86]		

ENGINEERING SPECIFICATION: ZURN Z125-E-90
 8-3/8" [213mm] Diameter lateral roof drain, Dura-Coated cast iron body with combination membrane flashing clamp/gravel guard, static extension, and low silhouette Poly-Dome.

OPTIONS (Check/specify appropriate options)

PIPE SIZE

2, 3, 4 [51, 76, 102]

(Specify size) **OUTLET**

___ IP Threaded

'E' BODY HT. DIM.

5-15/16 [151]

PREFIXES

- ___ Z D.C.C.I. Body with Poly-Dome (4-1/4 [108] Dome Height)*
- ___ ZA D.C.C.I. Body with Aluminum Dome (4-1/4 [108] Dome Height)
- ___ ZC D.C.C.I. Body with Low Silhouette Cast Iron Dome (4-1/4 [108] Dome Height)

SUFFIXES

- ___ -AR Acid Resistant Epoxy Coated Finish
- ___ -C Underdeck Clamp
- ___ -FG Flush Grate
- ___ -G Galvanized Cast Iron
- ___ -R Roof Sump Receiver
- ___ -SC Secondary Clamping Collar
- ___ -SS Stainless Mesh Screen Over Dome
- ___ -VP Vandal-Proof Secured Top
- ___ -84 Stainless Steel Perforated Gravel Guard
- ___ -85 Stainless Steel Perforated Extension
- ___ -89 2 [51] High External Water Dam

* Regularly furnished unless otherwise specified.