



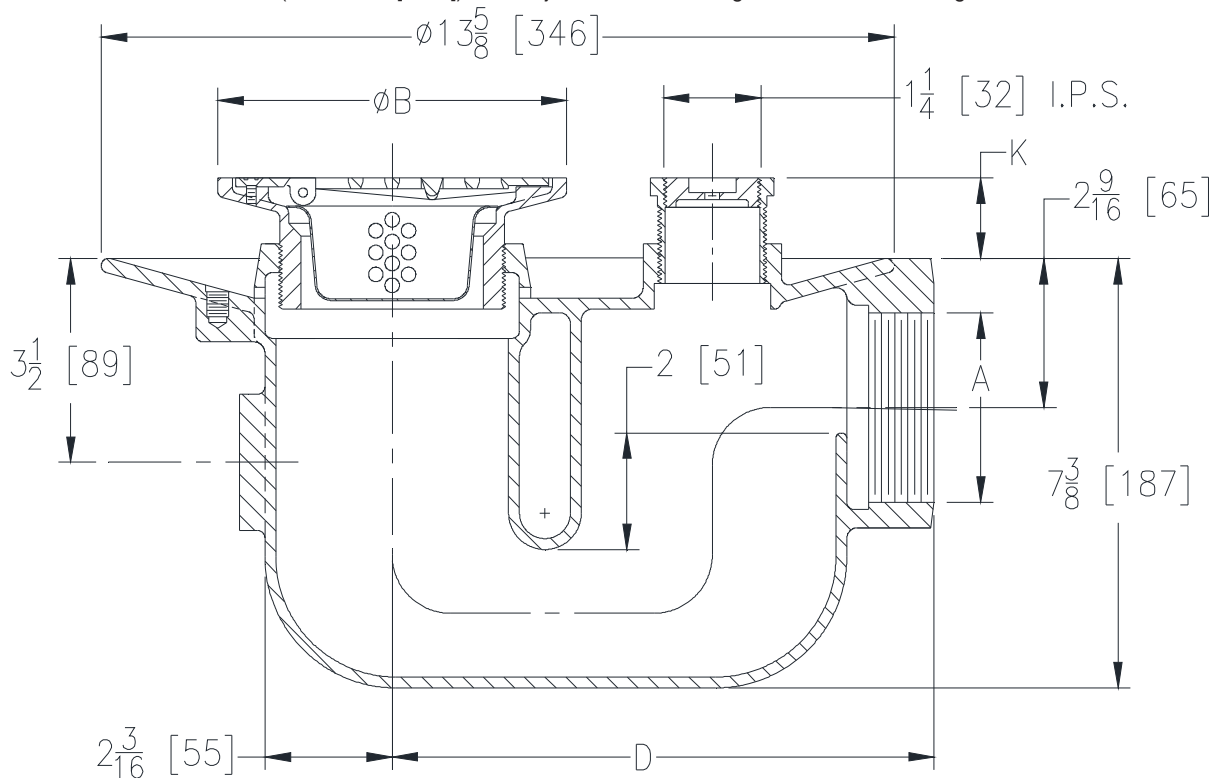
Z455SH-VP-Y

TRAP DRAIN W/ VANDAL PROOF "TYPE SH"
STRAINER, FLOOR CLEANOUT, & BUCKET

SPECIFICATION SHEET

TAG _____

Dimensional Data (inches and [mm]) are Subject to Manufacturing Tolerances and Change Without Notice



Dimensions In Inches [mm]				Approx. Wt. Lbs. [kg]	Strainer Open Area Sq. In. [cm ²]
A Pipe Size	B Strainer Dia.	K			
		Min.	Max.		
2, 3, 4 [51, 76, 102]	5 [127]	7/8 [22]	2 [50]	37 [17]	12 [77]
2, 3, 4 [51, 76, 102]	6 [152]	1-1/8 [29]	2-1/4 [57]	39 [18]	21 [135]
2, 3, 4 [51, 76, 102]	7 [178]	1-1/2 [38]	2-5/8 [67]	41 [19]	21 [135]
2, 3, 4 [51, 76, 102]	8 [203]	1-1/2 [38]	2-5/8 [67]	41 [19]	21 [135]

ENGINEERING SPECIFICATION: ZURN ZN455SH-VP-Y

Floor and shower trap drain, Dura-Coated cast iron body with integral trap, side outlet, seepage pan, floor level cleanout, adjustable "TYPE SH" polished, nickel bronze hinged strainer with vandal-proof screws and sediment bucket.

OPTIONS (Check/specify appropriate options)

PIPE SIZE

- 2, 3 [51, 76]
- 4 [102]
- 2, 3, 4 [51, 76, 102]

(Specify size/type) **OUTLET**

- ___ IP Threaded
- ___ IP Threaded
- ___ NH No-Hub

'D'

- 9-1/16 [230]
- 9-5/16 [237]
- 11-3/4 [298]

PREFIXES

- ___ ZN D.C.C.I. Body Assembly w/Polished Nickel Bronze Top*

SUFFIXES

- ___ -C Clamping Collar
- ___ -FC Flush Cover for Plug
- ___ -P Trap Primer Connection (Specify 1/2 [13] or 3/4 [19])
- ___ -PC Protective Cover

* Regularly furnished unless otherwise specified.