



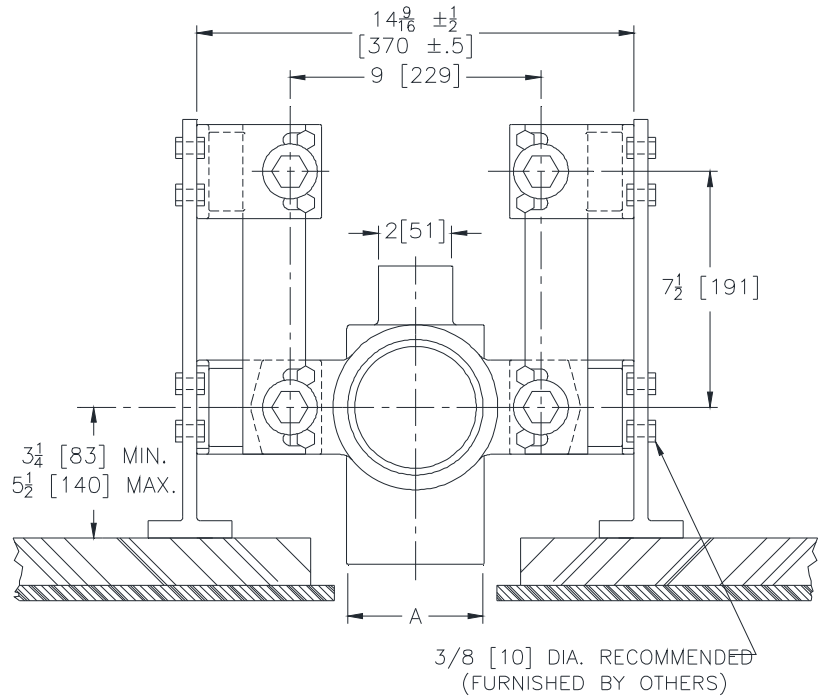
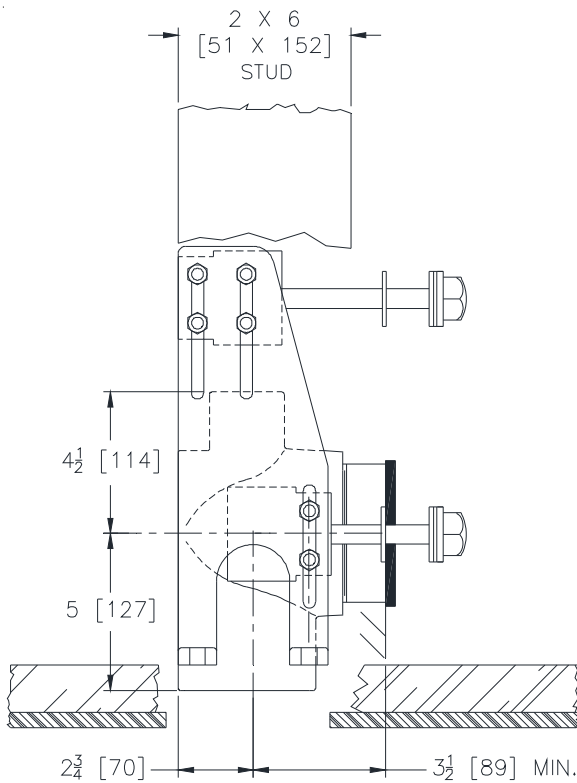
Z1280-N-Y

FLOOR MOUNTED WATER CLOSET SUPPORT SYSTEM

SPECIFICATION SHEET

TAG _____

Dimensional Data (inches and [mm]) are Subject to Manufacturing Tolerances and Change Without Notice



Product No.	A-Dim In [mm]	Approx. Wt. Lbs. [kg]
Z1280-N32	3 [76]	30 [14]
Z1280-N42	4 [102]	40 [18]

ENGINEERING SPECIFICATION: ZURN Z1280-N-Y

Floor mounted water closet support system. Complete with Dura-Coated cast iron 4" [102mm] no-hub fitting with 2" [51mm] vent, support brackets, corrosion resistant ABS coupling, fixture bolts and trim, bonded "Neo-Seal" gasket and foot support system.

OPTIONS (Check/specify appropriate options)

PRODUCT DEFINITION

- _____ Z1280-N32 3 [76] No-Hub Fitting with 2 [51] Vent
- _____ Z1280-N42 4 [102] No-Hub Fitting with 2 [51] Vent

PREFIXES

- _____ Z Dura-Coated Plate System*

SUFFIXES

- _____ -X4 4[102] Inch High Foot Extension (See Z1200-FT-EXT-4)

* Regularly furnished unless otherwise specified.