



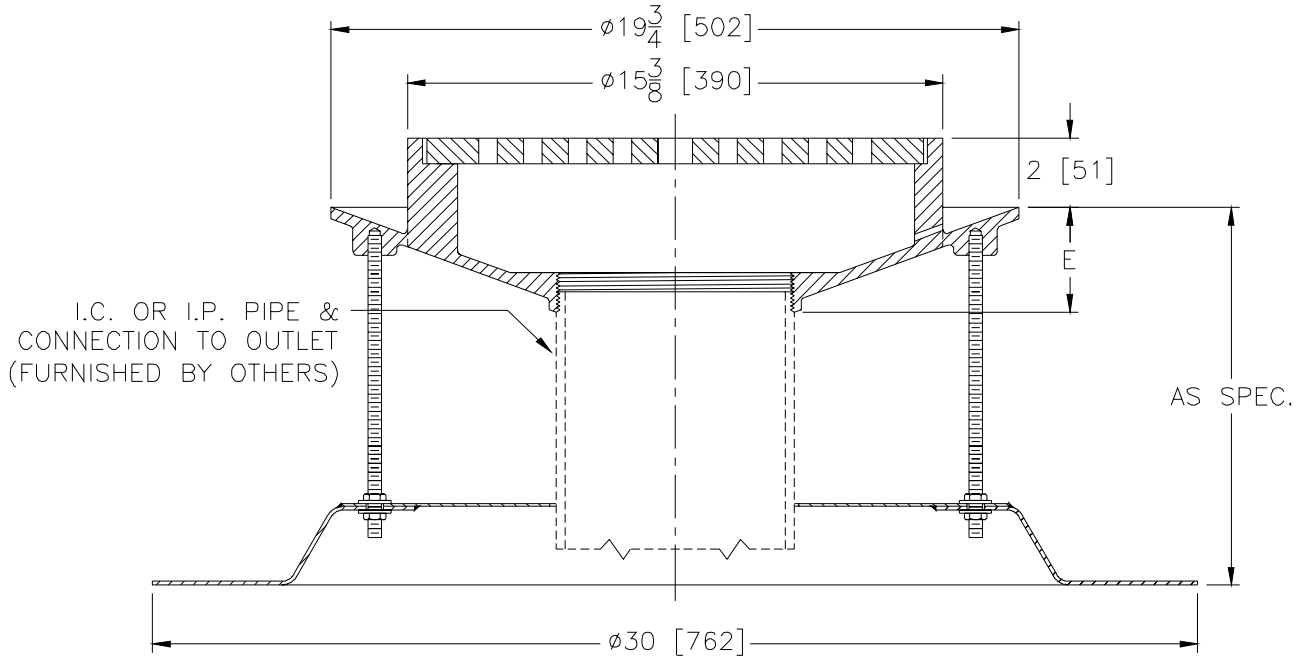
# Z503-80

SPECIFICATION SHEET

## 15 [381] HEAVY-DUTY AREA DRAIN W/ FABRICATED STABILIZATION MOUNT

TAG \_\_\_\_\_

Dimensional Data (inches and [ mm ]) are Subject to Manufacturing Tolerances and Change Without Notice



A- Pipe Size In.	Approx. Wt. Lbs. [kg]	Grate Open Area Sq. In. [cm <sup>2</sup> ]
3-4-5-6-8 [76-102-127-152-203]	90 [41]	45 [290]

**ENGINEERING SPECIFICATION: ZURN Z503-80**  
 15 [381] Diameter top drain, Dura-Coated cast iron body with bottom outlet, seepage pan and heavy-duty anti-tilt slotted grate with fabricated stabilization mount.

**OPTIONS** (Check/specify appropriate options)

PIPE SIZE	(Specify size/type) OUTLET	'E' BODY HT. DIM.
3 thru 6 [76 thru 152]	_____ IC Inside Caulk	5 1/8 [130]
8 [203]	_____ IC Inside Caulk	5 5/8 [143]
3 thru 6-8 [76 thru 152-203]	_____ IP Threaded	3 [76]

**PREFIXES**

- \_\_\_\_\_ Z D.C.C.I. Body and Top\*
- \_\_\_\_\_ ZB D.C.C.I. Body with Polished Bronze Top (Add 3/16 [5] to 2 [51] Dim.)
- \_\_\_\_\_ ZN D.C.C.I. Body with Polished Nickel Bronze Top (Add 3/16 [5] to 2 [51] Dim.)

**SUFFIXES**

- \_\_\_\_\_ -AR Acid Resisting Epoxy Coated Cast Iron
- \_\_\_\_\_ -C Clamp Collar
- \_\_\_\_\_ -DG Duresist Grate
- \_\_\_\_\_ -G Galvanized Cast Iron
- \_\_\_\_\_ -S Secondary Strainer
- \_\_\_\_\_ -TS Top Secured with Slotted Screws
- \_\_\_\_\_ -VP Vandal-Proof Secured Top
- \_\_\_\_\_ -Y Sediment Bucket

REV.	DATE: 11/3/05	C.N. NO. 94126
DWG. NO. P-15222 PRODUCT NO. Z503-80		

\*REGULARLY FURNISHED UNLESS OTHERWISE SPECIFIED