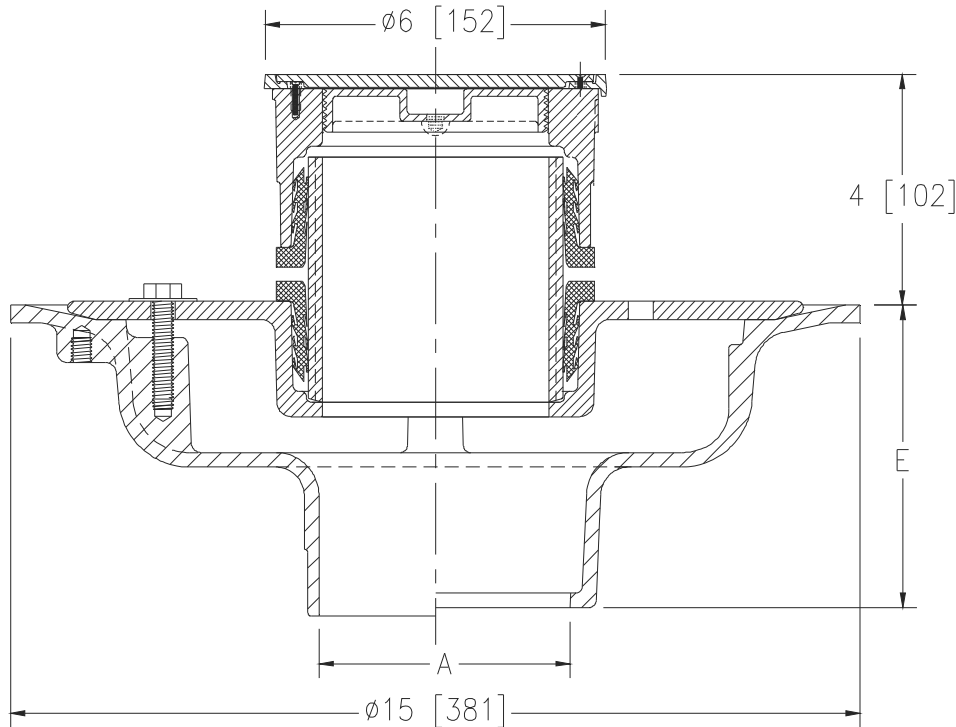




Z626-79

NON-ADJUSTABLE ISOLATION DECK CLEANOUT

Dimensional Data (inches and [mm]) are Subject to Manufacturing Tolerances and Change Without Notice



A Pipe Size	Approx. Wt. Lbs. [kg]
2-3-4 [51-76-102]	44 [20]
5-6 [127-152]	

ENGINEERING SPECIFICATION: ZURN Z626-79

Non-Adjustable isolation deck cleanout, Dura-Coated cast iron upper and lower bodies, clamp collar with weep holes, neoprene flex gasket, ABS cleanout plug, isolation ferrule with 6 [152] diameter round scoriated, secured, light duty, polished nickel bronze top.

OPTIONS (Check/specify appropriate options)

PIPE SIZE

- 2-3-4-5-6 [51-76-102-127-152]
- 2-3-4-6 [51-76-102-152]
- 2-3-4-5-6 [51-76-102-127-152]
- 2-3-4-5-6 [51-76-102-127-152]
- 2-3-4-5-6 [51-76-102-127-152]

(Specify size/type) OUTLET

- ___ IC Inside Caulk
- ___ IG Inside Gasket
- ___ IP Threaded
- ___ NH No-Hub
- ___ NL Neo-Loc

'E' BODY HT. DIM.

- 5-1/4 [133]
- 5-1/4 [133]
- 3-3/4 [95]
- 5-1/4 [133]
- 4-5/8 [117]

PREFIXES

- ___ ZB D.C.C.I Body w/ Polished Bronze Top
- ___ ZN D.C.C.I Body w/ Polished Nickel Bronze Top*

SUFFIXES

- ___ -C Underdeck Clamp (Lower Body)
- ___ -G Galvanized Cast Iron
- ___ -LH Less Weep Holes in Clamp Collar
- ___ -PC Protective Cover
- ___ -R Sump Receiver (Lower Body)
- ___ -VP Vandal-Proof Secured Top

* Regularly furnished unless otherwise specified.