



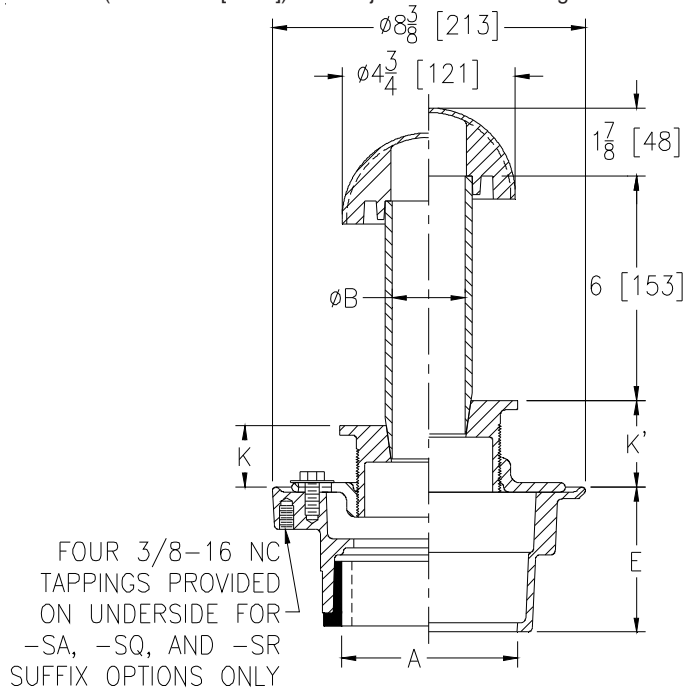
# Z415P-79

## BODY ASSEMBLY W/ "TYPE P" STRAINER AND SOLID CLAMPING COLLAR

SPECIFICATION SHEET

TAG \_\_\_\_\_

Dimensional Data (inches and [ mm ]) are Subject to Manufacturing Tolerances and Change Without Notice



Dimensions In Inches						Approx. Wt. Lbs. [kg]	Strainer Open Area Sq. In. [cm <sup>2</sup> ]
A - Pipe Size	B - Dia.	K		K'			
		Min.	Max.	Min.	Max.		
2-3-4 [51-76-102]	2 [51]	7/8 [22]	2-1/8 [54]	1-1/4 [32]	2-7/8 [73]	15 [7]	3 [19]
2-3-4 [51-76-102]	3 [76]	7/8 [22]	2-1/8 [54]	1-1/4 [32]	2-7/8 [73]	17 [8]	7 [45]

**ENGINEERING SPECIFICATION: ZURN ZN415P-79**

Floor and shower drain, Dura-Coated cast iron body with bottom outlet, combination invertible membrane clamp, adjustable collar, and "TYPE P" polished, nickel bronze standpipe and dome.

**OPTIONS** (Check/specify appropriate options)

PIPE SIZE	(Specify size/type) OUTLET	'E' BODY HT. DIM.
2 thru 4 [51 thru 102]	_____ IC Inside Caulk	3-7/8 [98]
2 thru 4 [51 thru 102]	_____ IG Inside Gasket	3-7/8 [98]
2 [51]	_____ IP Threaded	2-3/8 [60]
3 [76]	_____ IP Threaded	2-5/8 [67]
4 [102]	_____ IP Threaded	2-7/8 [73]
2 thru 4 [51 thru 102]	_____ NH No-Hub	3-7/8 [98]
2 thru 4 [51 thru 102]	_____ NL Neo-Loc	3-3/4 [95]

**PREFIXES**

- \_\_\_\_\_ ZB D.C.C.I. Body Assembly w/ Polished Bronze Top
- \_\_\_\_\_ ZN D.C.C.I. Body Assembly w/ Polished Nickel Bronze Top\*

**SUFFIXES**

- |  |  |
|--|--|
| _____ -AR Acid Resisting Epoxy Coated Cast Iron                | _____ -SS Stainless Steel Mesh Screen Over Dome and Standpipe          |
| _____ -G Galvanized Cast Iron                                  | _____ -U 1 - 3 [25 - 76] High Extension Adapter                        |
| _____ -LD (Less) Dome  | _____ -18 Leveling Ring (See Z400-18)                                  |
| _____ -P Trap Primer Connection (Specify 1/2 [13] or 3/4 [19]) | _____ -90 90° Threaded Side Outlet Body Assembly (2 [51], 3 [76] Only) |
| _____ -PS Perforated Standpipe                                 |  |
| _____ -SA Stabilizer Assembly (See Z1035)                      |  |
| _____ -SD Longer Standpipe (Specify Height Required)           |  |
| _____ -SQ Stabilizer Q-Deck (See Z1035-Q)                      |  |
| _____ -SR Stabilizer Ring                                      |  |

<b>REV.</b>	<b>DATE: 06/23/11</b>	<b>C.N. NO. 121484</b>
<b>DWG. NO. 306415</b>	<b>PRODUCT NO. Z415P-79</b>	

\*REGULARLY FURNISHED UNLESS OTHERWISE SPECIFIED