



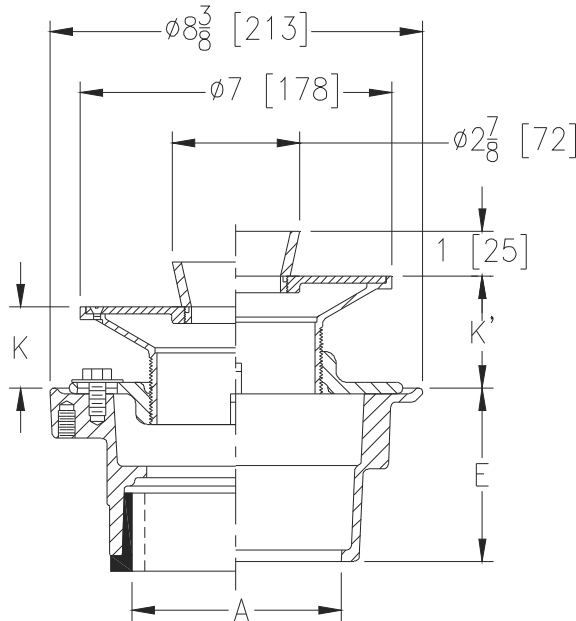
Z415E-80

FLOOR AND SHOWER DRAIN WITH "TYPE E"
1 [25] TALL STRAINER & SOLID COVER

SPECIFICATION SHEET

TAG _____

Dimensional Data (inches and [mm]) are Subject to Manufacturing Tolerances and Change Without Notice



Dimensions in Inches [mm]					Approx Wt. Lbs [kg]	Strainer Open Area In ² [cm ²]
A	K		K'			
Pipe Size	Min	Max	Min	Max		
2,3,4 [51,76,102]	1 [25]	2-1/8 [54]	1-5/8 [41]	2-15/16 [75]	19 [9]	5 [32]

ENGINEERING SPECIFICATION: ZURN ZN415E-80

Floor and shower drain, Dura-Coated cast iron body with bottom outlet, combination invertible membrane clamp and adjustable collar with "TYPE E" polished, nickel bronze solid cover with a 1" [25mm] tall 2-7/8" [72mm] diameter funnel.

OPTIONS (Check/specify appropriate options)

PIPE SIZE	(Specify size/type)	OUTLET	E BODY HT. DIM.	
2,3,4 [51,76,102]	_____	IC Inside Caulk	4-3/16	[106]
2 [51]	_____	IP Threaded	2-7/16	[62]
3 [76]	_____	IP Threaded	2-3/4	[70]
4 [102]	_____	IP Threaded	2-13/16	[71]
2,3,4 [51,76,102]	_____	NH No-Hub	3-13/16	[97]
2,3,4 [51,76,102]	_____	NL Neo-Loc	3-7/8	[98]

PREFIXES

_____ ZB	D.C.C.I. Body with Polished Bronze Top
_____ ZN	D.C.C.I. Body with Polished Nickel Bronze Top*

SUFFIXES

_____ -AR	Acid Resistant Epoxy Coated Cast Iron	_____ -TC	Neo-Loc Test Cap Gasket (2,3,4 [51,76,102] NL Bottom Outlet Only)
_____ -G	Galvanized Cast Iron	_____ -U	1 - 3 [25 - 76] High Extension Adapter
_____ -P	Trap Primer Connection (Specify 1/2 [13] or 3/4 [19])	_____ -V	Backwater Valve
_____ -SA	Sabilizer Assembly (See Z1035)	_____ -VP	Vandal Proof Secured Top
_____ -SQ	Stabilizer Q-Deck (See Z1035-Q)	_____ -Y	Sediment Bucket
_____ -SR	Stabilizer Ring (See Z400-U)	_____ -90	90° Threaded Side Outlet Body

* Regularly furnished unless otherwise specified.