



Z1400-BZ-K

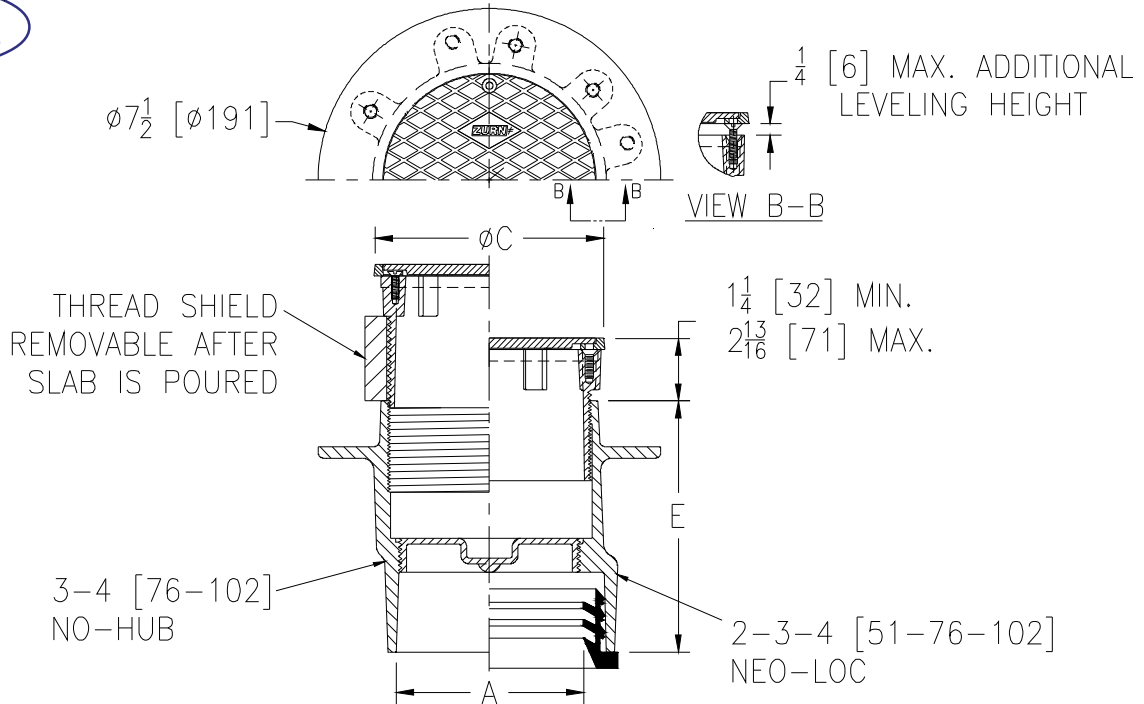
"LEVEL-TROL" ADJUSTABLE LEVELING FLOOR CLEANOUT W/ ANCHOR FLANGE

SPECIFICATION SHEET

TAG _____

Dimensional Data (inches and [mm]) are Subject to Manufacturing Tolerances and Change Without Notice

**PATENT
PENDING**



Dimension In Inches		Approx. Wt. Lbs. [kg.]
A-Pipe Size	C	
No-Hub		
3-4 [76-102]	5-1/32 [128]	5-3/8 [137]
Neo-Loc		
2-3 [51-76]	5-1/32 [128]	5-3/8 [137]
4 [102]	5-1/32 [128]	5-3/8 [137]

ENGINEERING SPECIFICATION: ZURN Z1400-BZ-K "Level-Trol" Adjustable leveling floor cleanout, Dura-Coated cast iron body with anchor flange, gas and watertight ABS tapered thread plug, and round scoriated secured light-duty top (Specify finish ZB, ZN, or ZS) with additional leveling adjustment to finished floor.

PIPE SIZE (Specify size/type) **OUTLET**

3,4 [76-102] _____ NH No-Hub

2,3,4 [51-76-102] _____ NL Neo-Loc

'E' BODY HT. DIM.

See Chart

See Chart

OPTIONS (Check/specify appropriate options)

PREFIXES

- ____ ZB D.C.C.I. w/ Polished Bronze Top
- ____ ZN D.C.C.I. w/ Polished Nickel Bronze Top
- ____ ZS D.C.C.I. w/ Polished Type 304 (CF8) Stainless Steel Top

SUFFIXES

- ____ -AR Acid Resisting Epoxy Coated Finish
- ____ -BP Bronze Plug
- ____ -C Clamp Collar
- ____ -CM Carpet Marker
- ____ -G Galvanized Cast Iron
- ____ -SA Stabilizer Assembly
- ____ -SM Special Marking Stamped on Top
- ____ -TC Neo-Loc Test Cap Gasket (2 thru 4 [51 thru 102] NL Bottom Outlet Only)
- ____ -VP Vandal-Proof Screws

REV.	DATE: 07/19/12	C.N. NO. 124583
DWG. NO. 310135	PRODUCT NO. Z1400-BZ-K	

*REGULARLY FURNISHED UNLESS OTHERWISE SPECIFIED

ZURN INDUSTRIES, LLC. ♦ SPECIFICATION DRAINAGE OPERATION ♦ 1801 Pittsburgh Ave. ♦ Erie, PA 16514

Phone: 814/455-0921 ♦ Fax: 814/454-7929 ♦ World Wide Web: www.zurn.com

In Canada: ZURN INDUSTRIES LIMITED ♦ 3544 Nashua Drive ♦ Mississauga, Ontario L4V1L2 ♦ Phone: 905/405-8272 Fax: 905/405-1292