



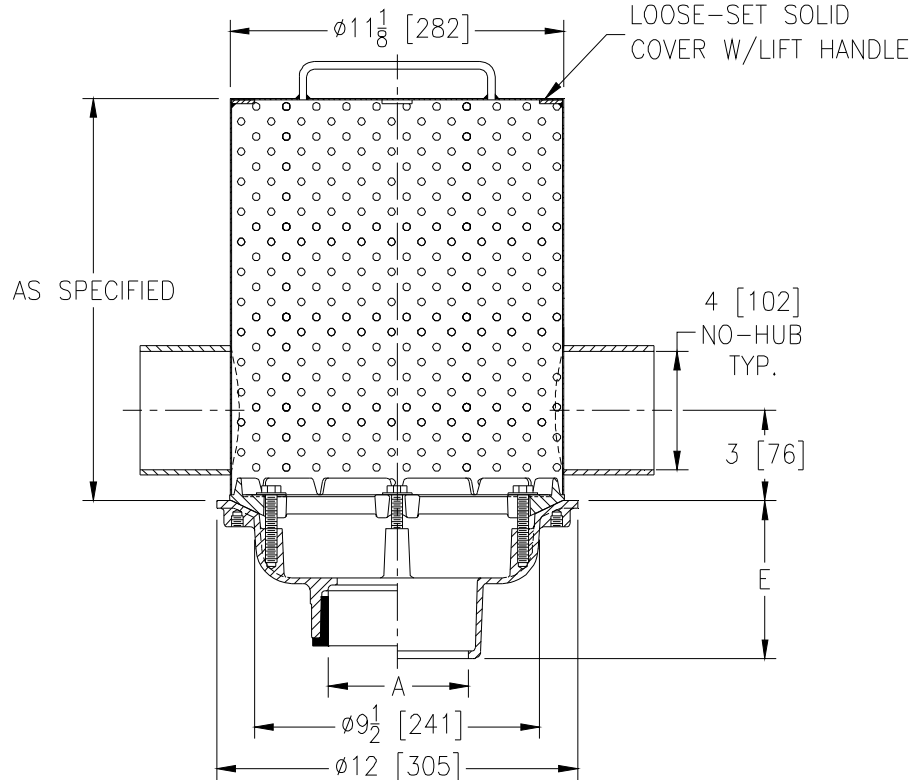
Z121-108

12 [305] DIAMETER MAIN ROOF DRAIN
 W/PERFORATED EXTENSION, LOOSE SET SOLID COVER
 WITH LIFT HANDLE, AND AUXILIARY SIDE OUTLETS

SPECIFICATION SHEET

TAG _____

Dimensional Data (inches and [mm]) are Subject to Manufacturing Tolerances and Change Without Notice



A Pipe Size In.	Approx. Wt. Lbs. [kg]
2,3,4 [51,76,102]	33 [16]
5,6 [127,152]	34 [17]

ENGINEERING SPECIFICATION: ZURN Z121-108

12 [305] Diameter roof drain. Dura-Coated cast iron body with combination membrane flashing clamp/gravel guard, perforated extension, loose set solid cover with lift handle, and auxiliary side outlets.

OPTIONS (Check/specify appropriate options)

PIPE SIZE

- 2 thru 6 [51 thru 152]
- 2 thru 6 [51 thru 152]
- 2 thru 6 [51 thru 152]
- 2,3,4 [51,76,102]

(Specify size/type) **OUTLET**

- _____ IC Inside Caulk
- _____ IP Threaded
- _____ NH No-Hub
- _____ NL Neo-Loc

E BODY HT. DIM.

- 5 1/4 [133]
- 3 3/4 [95]
- 5 1/4 [133]
- 4 9/16 [116]

PREFIXES

- _____ Z D.C.C.I. Body and Clamp Collar*

SUFFIXES

- _____ -AR Acid Resistant Epoxy Coated
- _____ -C Underdeck Clamp
- _____ -DP Top-Set® Deck Plate (Replaces both the -C and -R)
- _____ -DR Top-Set® Drain Riser
- _____ -E Static Extension 1 [25] thru 4 [102] (Specify Ht.)
- _____ -EB Top-Set® Adjustable Extension Assembly
- _____ -G Galvanized Cast Iron
- _____ -R Roof Sump Receiver
- _____ -TC Neo-Loc Test Cap Gasket
(2 - 4 [51 - 102] NL Bottom Outlet Only)
- _____ -VP Vandal-Proof Secured Top
- _____ -90 90° Threaded Side Outlet Body
(2 thru 6 [51 or 152])

REV.	DATE: 1/5/10	C.N. NO. 110551
DWG. NO. P-15819 PRODUCT NO. Z121-108		

*REGULARLY FURNISHED UNLESS OTHERWISE SPECIFIED