



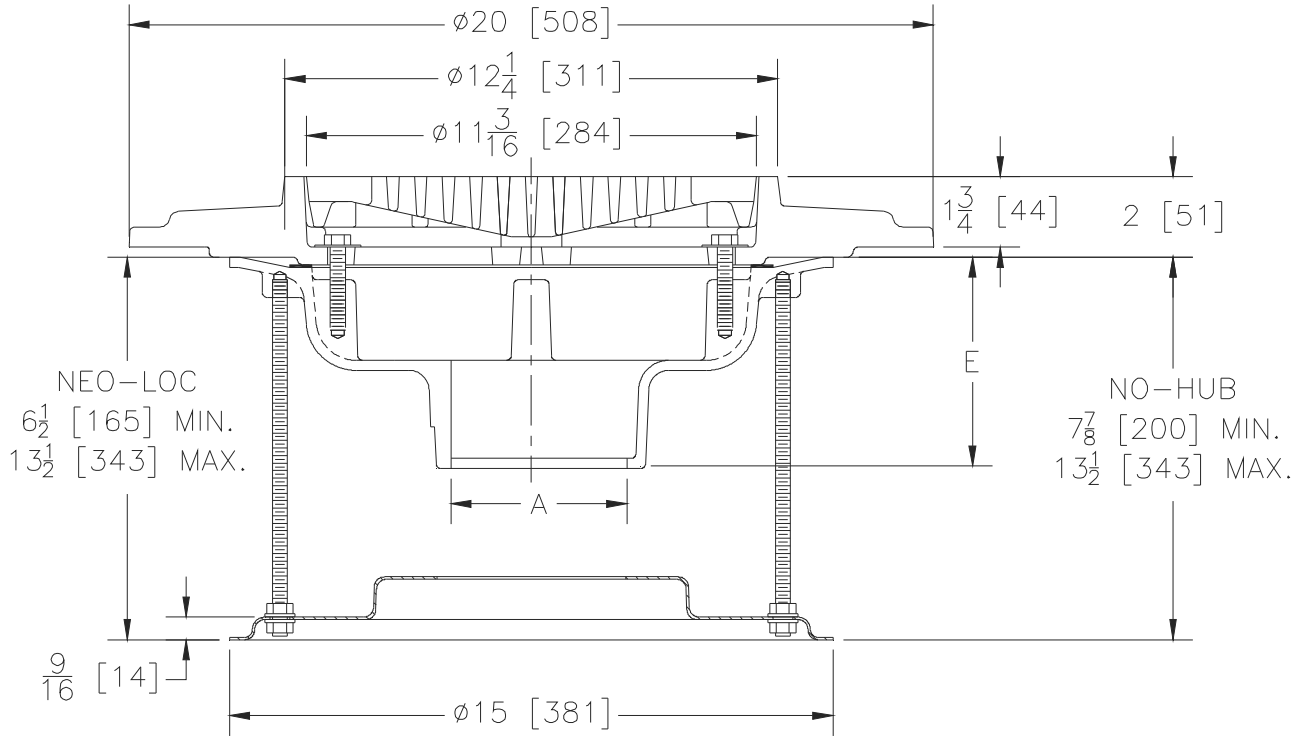
Z534-SA

12-1/4 [311] DIAMETER HEAVY-DUTY PARKING DECK DRAIN WITH SUPPORT FLANGE AND STABILIZER ASSEMBLY

SPECIFICATION SHEET

TAG _____

Dimensional Data (inches and [mm]) are Subject to Manufacturing Tolerances and Change Without Notice



A- Pipe Size In [mm]	Approx. Wt. Lbs. [kg]	Grate Open Area Sq. In. [cm ²]
2,3,4,6 [51,76,102,127,152]	78 [35]	30 [194]
8 [203]	80 [36]	

ENGINEERING SPECIFICATION: ZURN Z534-SA
 12-1/4" [311 mm] Diameter parking deck drain, Dura-Coated cast iron body with bottom outlet, heavy duty gasketed drain support flange, with heavy-duty slotted grate and stabilizer assembly.

OPTIONS (Check/specify appropriate options)

PIPE SIZE	(Specify size/type) OUTLET	'E' BODY HT. DIM.
3,4,6 [76,102,152]	___ IC Inside Caulk	5-1/4 [133]
3,4,6 [76,102,152]	___ IG Inside Gasket	5-1/4 [133]
2,3,4,6,8 [51,76,102,152,203]	___ IP Threaded	3-3/4 [95]
2,3,4,6,8 [51,76,102,152,203]	___ NH No-Hub	5-1/4 [133]
2,3,4 [51,76,102]	___ NL Neo-Loc	4-5/8 [117]

PREFIXES

- ___ Z D.C.C.I. Body and Top*
- ___ ZB D.C.C.I. Body with Polished Bronze Top (Add 3/16 [5] to 2 [51] Dim and 3/4 [19] To 12-1/4 [311] Dim.)
- ___ ZN D.C.C.I. Body with Polished Nickel Bronze Top (Add 3/16 [5] to 2 [51] Dim and 3/4 [19] To 12-1/4 [311] Dim.)

SUFFIXES

- ___ -C Underdeck Clamp
- ___ -G Galvanized Cast Iron
- ___ -HP Heel-Proof Grate
- ___ -TC Neo-Loc Test Cap Gasket (2, 3, 4 [51, 76, 102] NL Bottom Outlet Only)
- ___ -TS Top Secured with Slotted Screws
- ___ -VP Vandal-Proof Secured Top
- ___ -XJ Expansion Joint (See Z190) (Use with IP Type Outlets)
- ___ -Y Sediment Bucket

* Regularly furnished unless otherwise specified.