



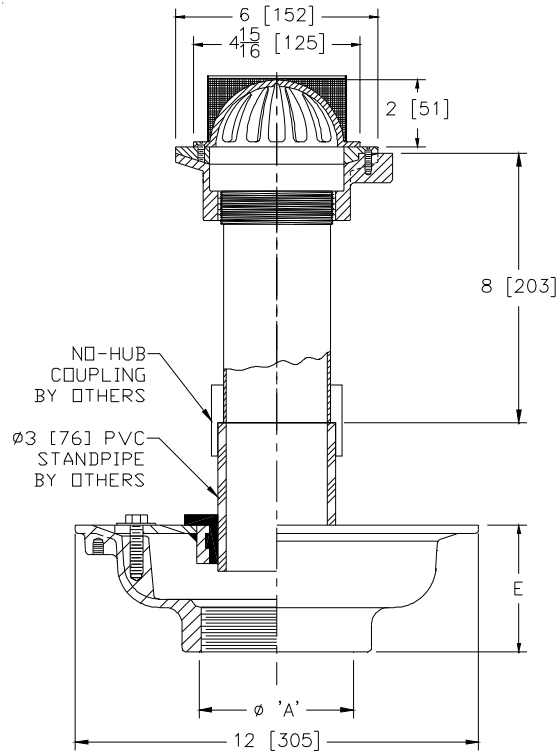
Z121-132

6 [152] DIAMETER CORNICE DRAIN WITH NO-HUB ADAPTOR, STAINLESS STEEL MESH SCREEN OVER DOME AND LOWER ISOLATION DECK DRAIN BODY

SPECIFICATION SHEET

TAG _____

Dimensional Data (inches and [mm]) are Subject to Manufacturing Tolerances and Change Without Notice



A - Pipe Size Inches [mm]	Approx. Wt. Lbs. [kg]	Grate Open Area Sq. In. [cm ²]
2,3,4,6 [51,76,102,152]	35 [16]	11 [71]

ENGINEERING SPECIFICATION: ZURN Z121-132
6" [152mm] Diameter x 2" [51mm] high cornice drain, Dura-Coated cast iron upper body, plain bronze dome, stainless steel mesh screen, membrane flashing clamp and No-Hub adaptor, Dura-Coated cast iron lower body with membrane flashing clamp and neoprene flex gasket.

OPTIONS (Check/specify appropriate options)

PIPE SIZE

- 2, 3, 4, 6 [51, 76, 102, 152]
- 2, 3, 4, 6 [51, 76, 102, 152]
- 2, 3, 4, 6 [51, 76, 102, 152]
- 2, 3, 4 [51, 76, 102]

(Specify size/type) **OUTLET**

- _____ IC Inside Caulk
- _____ IP Threaded
- _____ NH No-Hub
- _____ NL Neo-Loc

'E' BODY HT. DIM.

- 5-1/4 [133]
- 3-3/4 [95]
- 5-1/4 [133]
- 4-5/8 [117]

PREFIXES

- ___ ZRB D.C.C.I. Body with Plain Bronze Dome*
- ___ ZB D.C.C.I. Body with Polished Bronze Dome
- ___ ZN D.C.C.I. Body with Polished Nickel Bronze Dome

SUFFIXES

- ___ -C Underdeck Clamp (Lower Body Only)
- ___ -DB Deep Sump Body (IC Only) (Lower Body Only)
- ___ -DP Top-Set Roof Deck Plate (Replaces both the -C and -R) (Lower Body Only)
- ___ -FS Flat Strainer (ZB or ZN only) (Upper Body Only)
- ___ -G Galvanized Cast Iron (Both)
- ___ -HD 5-3/4 [146] High Dome (Upper Body Only)
- ___ -R Roof Sump Receiver (Lower Body Only)
- ___ -TC Neo-Loc Test Cap Gasket (2,3,4 [51,76,102] NL Bottom Outlet Only) (Lower Body Only)
- ___ -VP Vandal-Proof Secured Top (Upper Body Only)
- ___ -XJ Vertical Expansion Joint (See Z190) (Lower Body Only)
- ___ -90 90° Threaded Side Outlet Body (2,3,4 [51,76,102]) (Previously Z124) (Lower Body Only)

* Regularly furnished unless otherwise specified.