



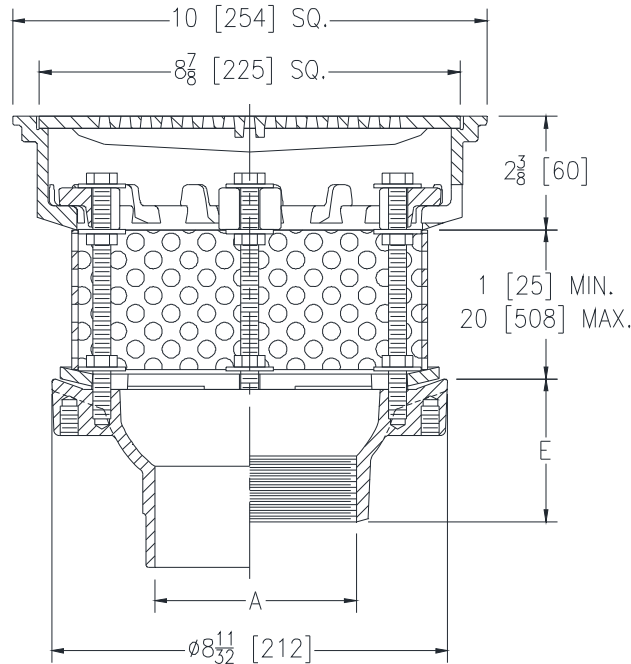
Z158-85

10 [254] SQUARE TOP PROM-DECK DRAIN W/ HEEL
PROOF GRATE, PERFORATED EXTENSION, AND
ROTATABLE FRAME

SPECIFICATION SHEET

TAG _____

Dimensional Data (inches and [mm]) are Subject to Manufacturing Tolerances and Change Without Notice



A Pipe Size In [mm]	Approx. Wt. Lbs. [kg]	Grate Open Area Sq. In. [cm ²]
2,3,4 [51,76,102]	22 [10]	21 [136]

ENGINEERING SPECIFICATION: ZURN Z158-85

10" [254mm] Square top prom-deck drain, Dura-Coated cast iron body with rotatable square promenade frame with seepage openings, frame clamps, stainless steel perforated extension, secondary clamp collar and light-duty heel-proof grate.

OPTIONS (Check/specify appropriate options)

PIPE SIZE

3,4 [76,102]
4 [102]
3 [76]
2 [51]
2,3,4 [51,76,102]
2,3,4 [51,76,102]

(Specify size/type) OUTLET

___ IC Inside Caulk
___ IP Threaded
___ IP Threaded
___ IP Threaded
___ NH No-Hub
___ NL Neo-Loc

'E' BODY HT. DIM.

3-7/8 [98]
3 [76]
2-3/4 [70]
2-7/16 [62]
3-31/32 [101]
3-13/16 [97]

PREFIXES

___ Z D.C.C.I. Body with Top*
___ ZB D.C.C.I. Body with Polished Bronze Top (Add 3/16 [5] to 2-3/8 [60] Dim & 5/8 [16] to 10 [254] Dim)
___ ZN D.C.C.I. Body with Polished Nickel Bronze Top (Add 3/16 [5] to 2-3/8 [60] Dim & 5/8 [16] to 10 [254] Dim)

SUFFIXES

___ -AR Acid Resistant Epoxy Coated
___ -C Underdeck Clamp
___ -DG Duresist Grate (Z Only)
___ -DP Top-Set® Roof Deck Plate
___ -DT Decorative Polished Top (ZB and ZN Only)
___ -E 2 [51] High Static Extension
___ -EB Top-Set® Adjustable Extension Assembly
___ -G Galvanized Cast Iron
___ -TC Neo-Loc Test Cap Gasket (2,3,4 [51,76,102]NL Bottom Outlet only)
___ -TS Top Secured with Slotted Screws
___ -VP Vandal-Proof Secured Top
___ -Y Sediment Bucket
___ -90 90° Threaded Side Outlet Body (2,3,4 [51,76,102])

* Regularly furnished unless otherwise specified.

Note: -DP and -90 suffixes cannot be specified together