



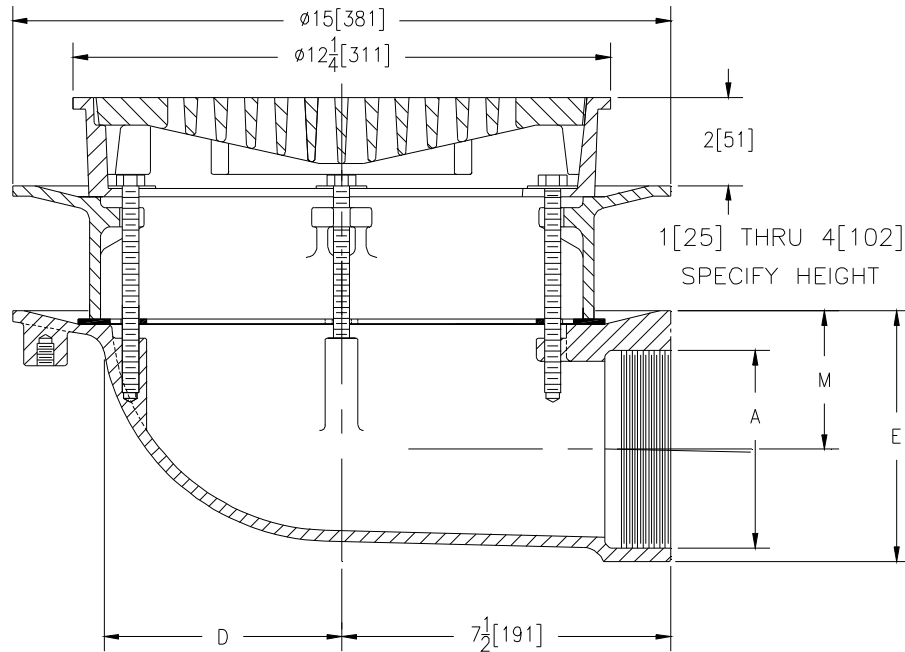
Z505-F-90

12-1/4 [311] HEAVY DUTY DRAIN W/ EXTENSION FRAME

SPECIFICATION SHEET

TAG _____

Dimensional Data (inches and [mm]) are Subject to Manufacturing Tolerances and Change Without Notice



Dimensions in In [mm]			Approx. Wt. Lbs.[kg]	Grate Open Area Sq. In.[cm ²]
A Pipe Size	D	M		
2 [51]	5-1/2 [140]	4-1/4 [108]	40 [18]	30 [194]
3 [76]		3-11/16 [94]	41 [19]	
4 [102]		3-3/16 [80]	42 [19]	
6 [152]		4-1/4 [108]	44 [20]	

ENGINEERING SPECIFICATION: ZURN Z505-F-90
 12-1/4" [311mm] Diameter top drain. Dura-Coated cast iron body with side outlet, extension, seepage pan and combination membrane flashing clamp and frame for heavy duty deep flange slotted grate.

OPTIONS (Check/specify appropriate options)

PIPE SIZE	(Specify size/type)	OUTLET	'E' BODY HT. DIM.
2,3,4 [51, 76, 102]	_____	IP Threaded	5-3/4 [146]
6 [152]	_____	IP Threaded	7-7/8 [200]

PREFIXES

- _____ Z D.C.C.I. Body and Grate*
- _____ ZB D.C.C.I. Body with Polished Bronze Grate (Add 3/16 [5] to 2 [51] Dim.& add 3/4 [19] to 12-1/4 [311] Dim.)
- _____ ZN D.C.C.I. Body with Polished Nickel Bronze Grate (Add 3/16 [5] to 2 [51] Dim.& add 3/4 [19] to 12-1/4 [311] Dim.)

SUFFIXES

- _____ -AR Acid Resistant Epoxy Coated Cast Iron
- _____ -D Dome Grate
- _____ -DG Duresist Grate
- _____ -G Galvanized Cast Iron
- _____ -HP Heel-Proof Grate
- _____ -HT Square Hinged Grate
- _____ -SC Solid Cover
- _____ -SS Stainless Mesh Liner for Bucket
- _____ -T Square Top
- _____ -TS Top Secured with Slotted Screws
- _____ -VP Vandal Proof Secured Top
- _____ -Y Sediment Bucket

* Regularly furnished unless otherwise specified.