



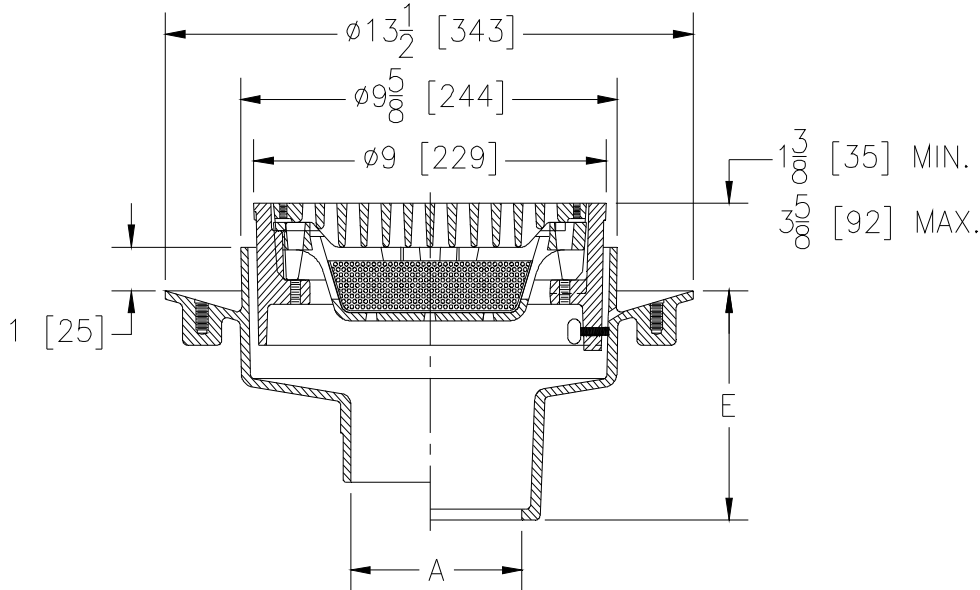
Z525-SS-Y

9 [229] DIAMETER ADJUSTABLE MEDIUM DUTY DRAIN W/ STAINLESS MESH LINER AND BUCKET

SPECIFICATION SHEET

TAG _____

Dimensional Data (inches and [mm]) are Subject to Manufacturing Tolerances and Change Without Notice



A- Pipe Size In.	Approx. Wt. Lbs. [kg]	Grate Open Area Sq. In. [cm ²]
2-3-4 [51-76-102]	38 [17]	18 [116]
6 [152]	38 [17]	

ENGINEERING SPECIFICATION: ZURN Z525-SS-Y
 9 [229] Diameter top drain, Dura-Coated cast iron body with bottom outlet, seepage pan and adjustable extension frame with medium duty cast iron deep slotted grate, stainless steel mesh liner and bucket.

OPTIONS (Check/specify appropriate options)

PIPE SIZE

(Specify size/type) **OUTLET**

'E' DIM.

2 thru 4 [51 thru 102]	___ IC Inside Caulk	5 1/4 [133]
2 thru 4 [51 thru 102]	___ IG Inside Caulk w/Sealtrol Gskt.	5 1/4 [133]
2 thru 4 [51 thru 102]	___ IP Threaded	3 1/2 [89]
2 thru 4-6 [51 thru 102-152]	___ NH No-Hub	4 1/4 [108]
2 thru 4 [51 thru 102]	___ NL Neo-Loc	4 3/8 [111]

PREFIXES

___ Z	D.C.C.I. Body and Top*
___ ZB	D.C.C.I. Body with Polished Bronze Top (Add 3/16 [5] to 1 3/8 [35] - 3 5/8 [92] Dim. & 5/8 [16] to 9 [229] Dim.)
___ ZN	D.C.C.I. Body with Polished Nickel Bronze Top (Add 3/16 [5] to 1 3/8 [35] - 3 5/8 [92] Dim. & 5/8 [16] to 9 [229] Dim.)

SUFFIXES

___ -AR	Acid Resisting Epoxy Coated Cast Iron	___ -TC	Neo-Loc Test Cap Gasket (2 [51] - 4 [102] NL Bottom Outlet Only)
___ -C	Clamp Collar	___ -TS	Top Secured with Slotted Screws
___ -D	Dome Grate (Z Only)	___ -VP	Vandal-Proof Secured Top
___ -DG	Duresist Grate	___ -90	90° Side Outlet Body (See Z1042)
___ -F	Extension Frame		
___ -G	Galvanized Cast Iron		
___ -H	Hinged Grate		
___ -P	Trap Primer Connection		
___ -S	Secondary Strainer		
___ -T	Square Top (9 5/8 [244])		

REV.	DATE: 11/3/10	C.N. NO. 120229
DWG. NO. 303235	PRODUCT NO. Z525-SS-Y	

*REGULARLY FURNISHED UNLESS OTHERWISE SPECIFIED

ZURN INDUSTRIES, LLC. ♦ SPECIFICATION DRAINAGE OPERATION ♦ 1801 Pittsburgh Ave. ♦ Erie, PA 16514

Phone: 814/455-0921 ♦ Fax: 814/454-7929 ♦ World Wide Web: www.zurn.com

In Canada: ZURN INDUSTRIES LIMITED ♦ 3544 Nashua Drive ♦ Mississauga, Ontario L4V1L2 ♦ Phone: 905/405-8272 Fax: 905/405-1292