



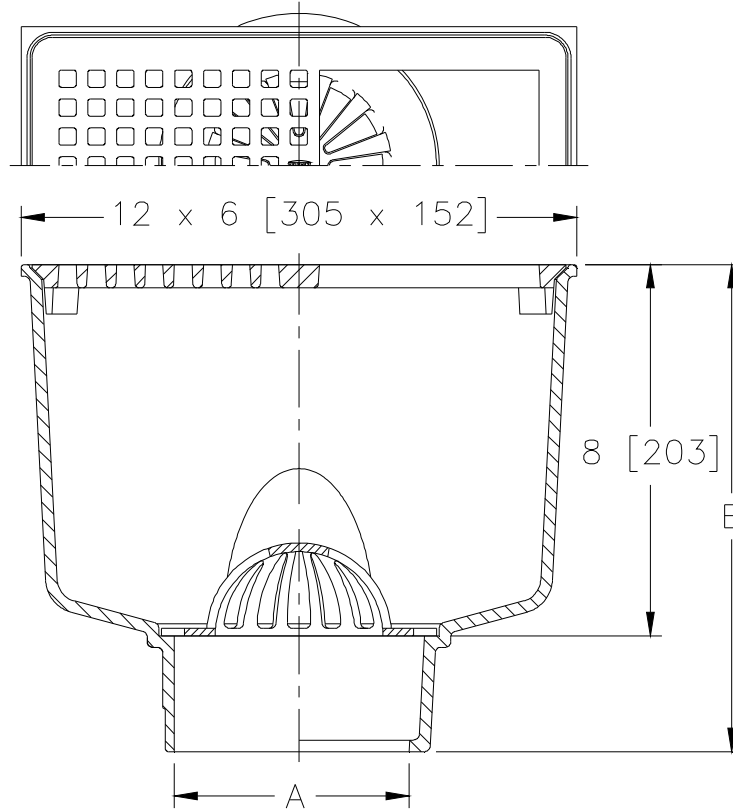
Z1940-2

12 X 6 [305 X 152] A.R.C. SANI-FLOR RECEPTOR 8 [203]
SUMP DEPTH W/ 1/2 GRATE

SPECIFICATION SHEET

TAG _____

Dimensional Data (inches and [mm]) are Subject to Manufacturing Tolerances and Change Without Notice



A Pipe Size In. [mm]	Approx Wt. Lbs. [kg]	Grate Open Area Sq. In. [cm ²]
2,3,4 [51,76,102]	28 [13]	24 [155]

ENGINEERING SPECIFICATION: ZURN Z1940-2

Sani-Flor Receptor 12" x 6" x 8" [305mm x 152mm x 203mm] deep cast iron body, light-duty square slotted 1/2 grate, with white acid resisting epoxy coated interior and top, complete with white ABS anti-splash interior bottom dome strainer.

OPTIONS (Check/specify appropriate options)

PIPE SIZE

- 2,3,4 [51,76,102]
- 2,3,4 [51,76,102]
- 2,3,4 [51,76,102]

OUTLET (Specify size/type)

- ___ IC Inside Caulk
- ___ NH No-Hub
- ___ NL Neo-Loc

'E' BODY HT. DIMENSION

Z	ZN
10-1/2 [267]	10-7/8 [276]
10-1/2 [267]	10-7/8 [276]
10 [254]	10-3/8 [264]

PREFIXES

- ___ Z Cast Iron Body with White A.R.C. Interior*
- ___ ZN Cast Iron Body with White A.R.C. Interior, 13 x 7 [330 x 178] N.B. Frame and 1/2 Grate w/ 3/8 [10] Square Openings

SUFFIXES

- | | |
|---|---|
| ___ -K Anchor Flange with Seepage Holes | ___ -11 Vandal-Proof Secured Grate (ZN Only) |
| ___ -KC Anchor Flange with Seepage Holes and Clamp Collar | ___ -23 Aluminum Bucket |
| ___ -LD (Less) Bottom Dome Strainer | ___ -25 White A.R.C. Bucket |
| ___ -P 1/2 [13] Trap Primer Connection | ___ -31 Stainless Steel Mesh Liner for Bucket |
| ___ -S Secondary Strainer | ___ -32 Aluminum Dome Strainer |
| ___ -TC Neo-Loc Test Cap Gasket (2,3,4 [51,76,102] NL Bottom Outlet Only) | ___ -33 White A.R.C. Anti-Splash Bottom Dome Strainer |

* Regularly furnished unless otherwise specified.