

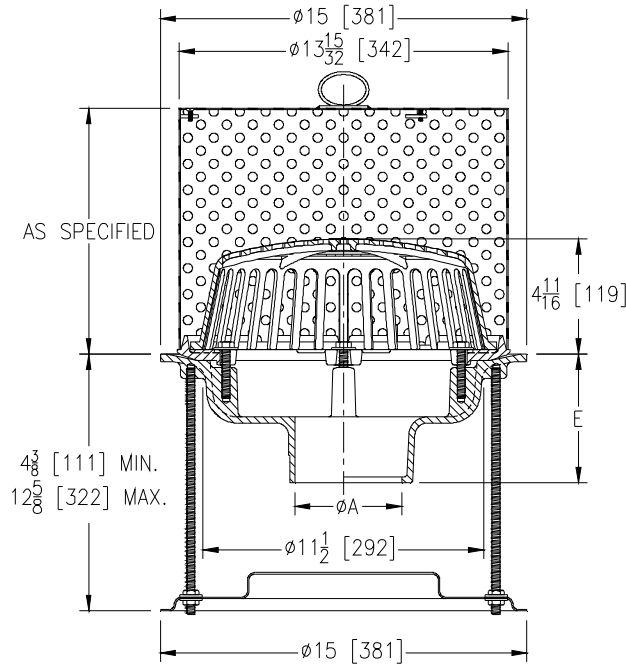


Z100-222

SPECIFICATION SHEET

15 [381] DIAMETER ROOF DRAIN W/ STABILIZER PLATE COVERED, PERFORATED GRAVEL GUARD AND LIFT RING TAG _____

Dimensional Data (inches and [mm]) are Subject to Manufacturing Tolerances and Change Without Notice



A Pipe Size In.	Approx. Wt. Lbs. [kg]	Dome Open Area Sq. In. [cm ²]
3-4 [76-102]	29 [13]	103 [665]
6-8 [152-203]	30 [14]	

ENGINEERING SPECIFICATION: ZURN Z100-222

15 [381] Diameter roof drain. Dura-Coated cast iron body with combination membrane flashing clamp/gravel guard, covered perforated stainless steel gravel guard with lift ring and low silhouette Poly-Dome strainer. Complete with Z1036 stabilizer plate.

OPTIONS (Check/specify appropriate options)

PIPE SIZE

3, 4, 6, 8 [76, 102, 152, 203]
 3, 4 [76, 102]
 6 [152]

(Specify size/type) OUTLET

____ NH No-Hub
 ____ NL Neo-Loc
 ____ NL Neo-Loc

E BODY HT. DIM.

5 1/4 [133]
 4 9/16 [116]
 5 7/16 [112]

PREFIXES

____ Z D.C.C.I. Body with Poly-Dome*
 ____ ZA D.C.C.I. Body with Aluminum Dome
 ____ ZC D.C.C.I. Body with Cast Iron Dome
 ____ ZRB D.C.C.I. Body with Plain Bronze Dome

SUFFIXES

____ -AR	Acid Resistant Epoxy Coated	____ -W2	2 [51] Internal Water Dam
____ -E	Static Extension 1 [25] thru 4 [102] (Specify Ht.)	____ -W3	3 [76] Internal Water Dam
____ -EA	Adjustable Extension Assembly	____ -W4	4 [102] Internal Water Dam
	2 1/8 [54] thru 3 1/2 [89]	____ -89	2 [51] High External Water Dam
____ -G	Galvanized Cast Iron		
____ -GD	Galvanized Cast Iron Dome (ZC Only)		
____ -HD	6 3/4 [171] High Aluminum Dome Strainer (148 Sq. In. [955 cm ²] Open Area) (ZA Only)		
____ -SC	Secondary Clamp Collar		
____ -TC	Neo-Loc Test Cap Gasket (2 - 4 [51 - 102] NL Bottom Outlet Only)		
____ -VP	Vandal-Proof Secured Top		

REV. DATE: 4/14/10 C.N. NO. 111011

DWG. NO. 84596 PRODUCT NO. Z100-222

*REGULARLY FURNISHED UNLESS OTHERWISE SPECIFIED

ZURN INDUSTRIES, LLC ♦ SPECIFICATION DRAINAGE OPERATION ♦ 1801 Pittsburgh Ave. ♦ Erie, PA 16514

Phone: 814/455-0921 ♦ Fax: 814/454-7929 ♦ World Wide Web: www.zurn.com

In Canada: ZURN INDUSTRIES LIMITED ♦ 3544 Nashua Drive ♦ Mississauga, Ontario L4V1L2 ♦ Phone: 905/405-8272 Fax: 905/405-1292