



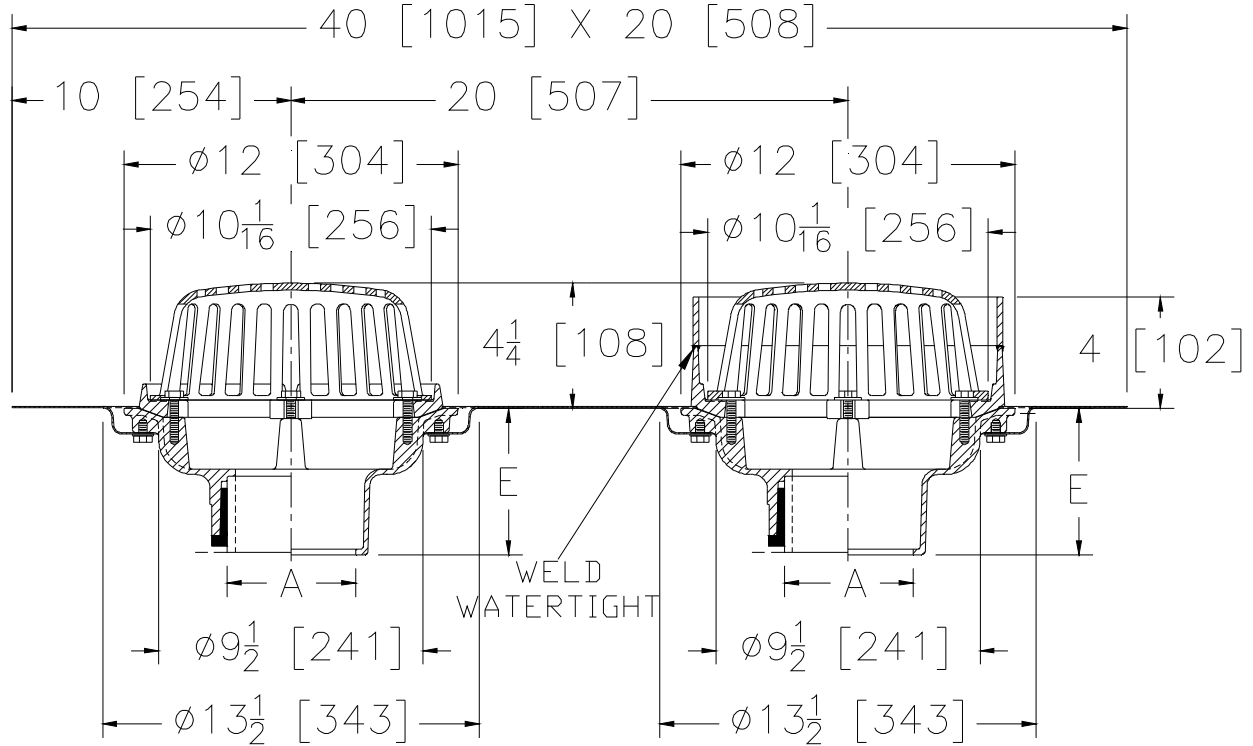
Z164-77

12 [305] DIAMETER COMBINATION MAIN ROOF AND 4 [102] OVERFLOW DRAIN WITH LOW SILHOUETTE DOMES AND DOUBLE TOP SET® DECK PLATE

SPECIFICATION SHEET

TAG _____

Dimensional Data (inches and [mm]) are Subject to Manufacturing Tolerances and Change Without Notice



A- Pipe Size In.	Approx. Wt. Lbs. [kg]	Dome Open Area Sq. In. [cm ²]
2-3-4-5-6 [51-76-102-127-152]	31 [14]	78 [503]

ENGINEERING SPECIFICATION: ZURN Z164-77
 12 [305] Diameter roof drain and overflow drain, Dura-Coated cast iron bodies with combination membrane flashing clamp/gravel guard, 4 [102] external water dam, double Top-Set® deck plate, and low silhouette cast iron domes.

OPTIONS (Check/specify appropriate options)

PIPE SIZE

- 2 thru 6 [51 thru 152]
- 2 thru 6 [51 thru 152]
- 2 thru 6 [51 thru 152]
- 2, 3, 4 [51, 76, 102]

(Specify size/type) **OUTLET**

- _____ IC Inside Caulk
- _____ IP Threaded
- _____ NH No-Hub
- _____ NL Neo-Loc

E BODY HT. DIM.

- 5-1/4 [133]
- 3-3/4 [95]
- 5-1/4 [133]
- 4-5/8 [117]

PREFIXES

- _____ Z D.C.C.I. Body with Dome*
- _____ ZA D.C.C.I. Body with Aluminum Dome
- _____ ZRB D.C.C.I. Body with Plain Bronze Dome

SUFFIXES

- _____ -AR Acid Resistant Epoxy Coated Finish
- _____ -BS Bronze Mesh Screen Over Dome
- _____ -E Static Extension 1 thru 4 [25 thru 102] (Specify Ht.)
- _____ -G Galvanized Cast Iron
- _____ -SC Secondary Clamping Collar
- _____ -SS Stainless Steel Mesh Screen Over Dome
- _____ -TC Neo-Loc Test Cap Gasket
2-4 [51-102] NL Bottom Outlet Only)
- _____ -VP Vandal Proof Secured Top
- _____ -XJ Vertical Expansion Joint (See Z190)
- _____ -84 Stainless Steel Perforated Gravel Guard
- _____ -85 Stainless Steel Perforated Extension

*REGULARLY FURNISHED UNLESS OTHERWISE SPECIFIED

REV.	DATE: 08/03/11	C.N. NO. 121822
DWG. NO. 306991	PRODUCT NO. Z164-77	