



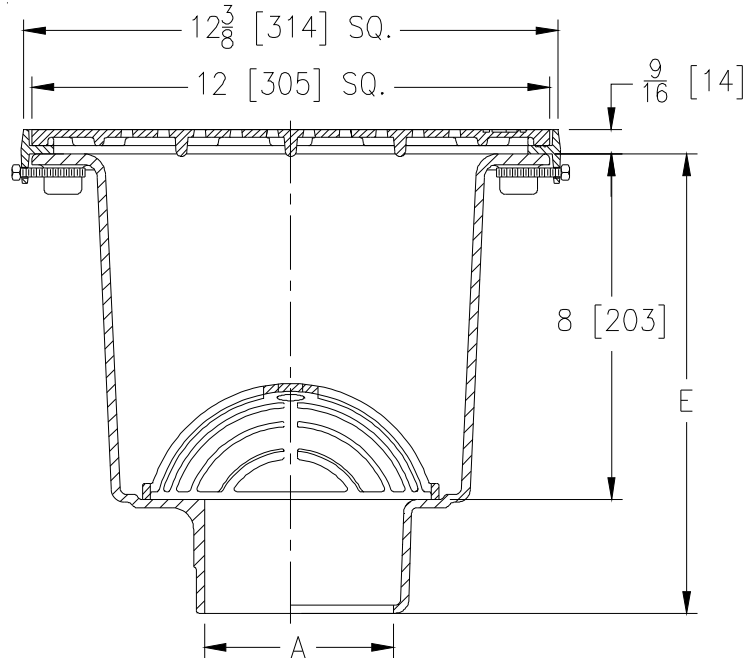
ZN1901-HP

12-3/8 x 12-3/8 [314 x 314] A.R.E. SANI-FLOR RECEPTOR
8 [203] SUMP DEPTH W/ NICKEL BRONZE FRAME &
HEEL-PROOF GRATE

SPECIFICATION SHEET

TAG _____

Dimensional Data (inches and [mm]) are Subject to Manufacturing Tolerances and Change Without Notice



| A- Pipe Size In. [mm] | Approx. Wt. Lbs. [kg] | Grate Open Area Sq. In. [cm ²] |
|--------------------------|--------------------------|---|
| 2, 3, 4 [51, 76, 102] | 40 [18] | 18 [116] |

ENGINEERING SPECIFICATION: ZURN ZN1901-HP

Sani-Flor Receptor 12-3/8" x 12-3/8" x 8" [314mm x 314mm x 203mm] deep cast iron body with white acid resisting porcelain enamel interior, black ground enamel exterior coating, nickel bronze frame and heel-proof grate, complete with white ABS anti-splash interior bottom dome strainer.

OPTIONS (Check/specify appropriate options)

PIPE SIZE

3, 4 [76, 102]
2, 3, 4 [51, 76, 102]
2, 3, 4 [51, 76, 102]

(Specify size/type) OUTLET

___ IC Inside Caulk
___ NH No-Hub
___ NL Neo-Loc

'E' BODY HT. DIMENSION

11-1/8 [283]
11-1/8 [283]
10-1/2 [267]

PREFIXES

___ ZN Cast Iron Body with White A.R.E. Interior, 12-3/8 [314] Square Nickel Bronze Frame and Full Grate with 1/4 [6] Slotted Openings*

SUFFIXES

| | |
|---|--|
| ___ -DX Dex-O-Tex Flange | ___ -4 Full-Grate w/ 3-1/32 [77] Square Center Opening |
| ___ -K Anchor Flange with Seepage Holes | ___ -6 Grate w/ 6 [152] Diameter x 6 [152] High Funnel |
| ___ -KC Anchor Flange with Seepage Holes and Clamp Collar | ___ -8 Grate w/ 8-7/8 x 3-5/8 x 3-3/4 [225 x 92 x 95] High Oval Funnel |
| ___ -LD Less Bottom Dome Strainer | ___ -11 Vandal-Proof Secured Grate |
| ___ -P 1/2 [13] Trap Primer Connection (See Z1023) | ___ -23 Aluminum Bucket |
| ___ -SA Stabilizer Assembly (See Z1903) | ___ -25 White A.R.C. Bucket |
| ___ -TC Neo-Loc Test Cap Gasket (2, 3, 4 [51, 76, 102] NL Bottom Outlet Only) | ___ -31 Stainless Steel Mesh Liner for Bucket |
| ___ -VPS Vandal-Proof Grate | ___ -32 Aluminum Dome Strainer |
| ___ -2 1/2 Grate | ___ -33 White A.R.C. Anti-Splash Bottom Dome Strainer |
| ___ -3 3/4 Grate | |

* Regularly furnished unless otherwise specified.

Zurn Industries, LLC | Specification Drainage Operation
1801 Pittsburgh Avenue, Erie, PA U.S.A. 16502 · Ph. 855-663-9876, Fax 814-454-7929
In Canada | Zurn Industries Limited
3544 Nashua Drive, Mississauga, Ontario L4V 1L2 · Ph. 905-405-8272, Fax 905-405-1292
www.zurn.com

Rev. D
Date: 10/12/2017
C.N. No. 138731
Prod. | Dwg. No. ZN901-HP