



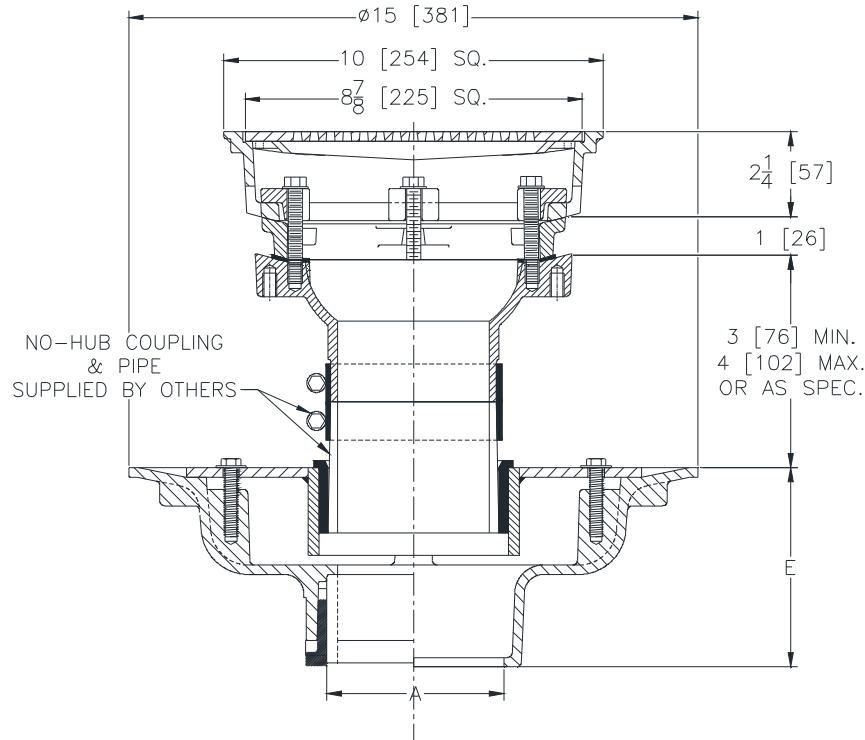
Z625-105

ISOLATION DECK DRAIN W/ UPPER Z158 DRAIN AND 1 [25] STATIC EXTENSION

SPECIFICATION SHEET

TAG _____

Dimensional Data (inches and [mm]) are Subject to Manufacturing Tolerances and Change Without Notice



A Pipe Size	Approx. Wt. Lbs. [kg]	Grate Open Area Sq. In. [cm ²]
2, 3, 4 [51, 76, 102]	53 [24]	21 [136]
5, 6 [127, 152]		

ENGINEERING SPECIFICATION: ZURN Z625-105

Adjustable isolation deck drain, Dura-Coated cast iron upper and lower bodies, lower clamp collar with neoprene flex gasket. Upper body with rotatable square promenade frame with seepage openings, 1 [25] static extension w/ gasket, frame clamps and light-duty heel-proof grate.

OPTIONS (Check/specify appropriate options)

PIPE SIZE

- 2, 3, 4, 5, 6 [51, 76, 102, 127, 152]
- 2, 3, 4 [51, 76, 102]
- 2, 3, 4, 5, 6 [51, 76, 102, 127, 152]
- 2, 3, 4, 5, 6 [51, 76, 102, 127, 152]
- 2, 3, 4 [51, 76, 102]
- 2, 3, 4 [51, 76, 102]

(Specify size/type) OUTLET

- ___ IC Inside Caulk
- ___ IG Inside Caulk w/Sealtrol Gskt.
- ___ IP Threaded
- ___ NH No-Hub
- ___ NL Neo-Loc
- ___ NL Neo-Loc

'E' BODY HT. DIM.

- 5-1/4 [133]
- 5-1/4 [133]
- 3-3/4 [95]
- 5-1/4 [133]
- 4-9/16 [116]
- 5-7/16 [138]

PREFIXES

- ___ Z D.C.C.I. Body and Top*
- ___ ZB D.C.C.I. Body w/Polished Bronze Top
- ___ ZN D.C.C.I. Body w/Polished Nickel Bronze Top

SUFFIXES

- ___ -C Underdeck Clamp (Lower Body)
- ___ -DG Duresist Grate (Z only)
- ___ -G Galvanized Cast Iron
- ___ -R Sump Receiver (Lower Body)
- ___ -TS Top Secured with Slotted Screws
- ___ -VP Vandal-Proof Secured Top
- ___ -Y Sediment Bucket (Upper Body)

* Regularly furnished unless otherwise specified.